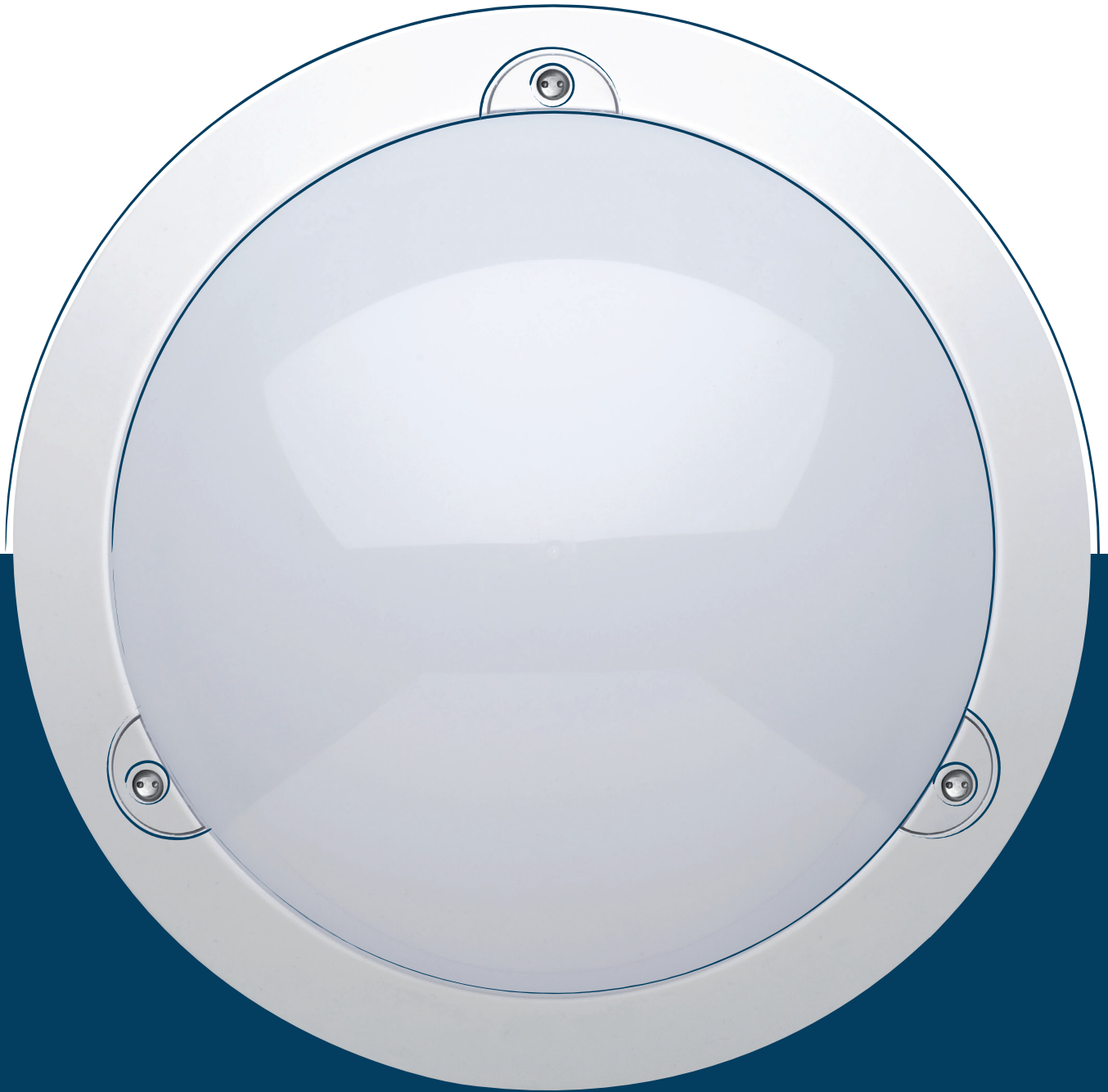


VOILA DURABLE



Designed and manufactured in France



Sécurlite

SÉCURLITE: COMMITTED EXPERTISE SINCE 1986

Sécurlite, founded in 1986 and based in La Ferté-Bernard (France), is part of the Rivalen group, now a company with a mission. Since 1986, Sécurlite has been developing and manufacturing smart and sustainable lighting solutions for a range of multiple applications, such as social housing, transport infrastructures and public buildings, as well as secured and healthcare facilities.

We have chosen to design and manufacture our products in France, giving preference to local suppliers and sub-contractors. Today, 99% of our products are certified Origine France Garantie by Bureau Veritas to guarantee the veracity and traceability of our French manufacturing.

From the beginning, we have sought to incorporate our social and environmental convictions into our DNA, whether through becoming a Founder Member of the PEP ecopasseport® from 2009, creating a partnership with the La Ferté-Bernard ESAT in 2012, or carrying out life cycle analyses for our products.



Luminaires certified
Origine
France
Garantie



Ethical and social
commitment



RGE Indoor
Lighting Studies
qualification



ISO 9001
certification



Committed & responsible lighting

SÉCURLITE, FRENCH DESIGNER / MANUFACTURER

We are firmly committed to designing and manufacturing luminaires that are resolutely in line with a policy of ecoresponsibility. To achieve this, we promote a firm commitment at the very heart of our activity: sustainable light. This promise is based on longer product life, reduced maintenance, perfect control over the light and energy savings.

A Sécurlite luminaire is like no other: it's designed to last longer, light better, and provide you with comfort and safety.

Sécurlite + points

- French manufacturer of high-resistance light fittings
- Technical and commercial support for all your projects
- Technical and ecological innovation at the heart of our development
- Manufacture of LED modules and sensors
- Manufacture of customised products on demand



40%

of our suppliers are local or regional*



80%

of our luminaires are made from recycled materials



100%

of products manufactured by Sécurlite are repairable



8-year extended warranty

* less than 200 kilometers from the factory



In 2023, Sécurlite luminaires are moving towards ever greater efficiency, reliability and durability. Highly efficient and designed to last, VOILA DURABLE and VOILA DURABLE ASYMMETRICAL are the right luminaires suited to the many applications involved in energy-efficient renovation of your buildings.

MORE EFFICIENT

- SMD LED geartray with new generation of high-efficiency LEDs and increased durability
- Improved efficacy: up to 152 lm/W depending on version
- Comfortable colour temperature 4000 K or 3000 K

DESIGNED TO LAST

- Extended 8-year guarantee
- Lumen maintenance 100,000 h L80B10
- Sensor designed and manufactured by Sécurlite
- Switching cycle > 1,000,000
- Load from 350 VA to 700 VA
- Impact resistance IK10
- Class 2
- Reinforced water and dust tightness IP65

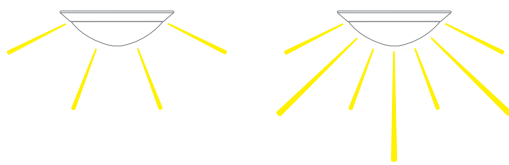
**THE RESPONSIBLE CHOICE OF 2 IN 1 FLOW
A CONSCIOUS RENUNCIATION OF MULTICOLOUR**

With their new functions, VOILA DURABLE and VOILA DURABLE ASYMMETRICAL offer even more advantages.

They incorporate a dual flow with a power-selective power supply in a single reference:

- ceiling mounted 2100 / 2400 lm output
- no more wasteful multi-colours

The ability to choose an appropriate luminous flux can generate significant energy savings with the right lighting approach, in compliance with the applicable illuminance standards.



ORIGIN FRANCE GUARANTEED

- Certified Origine France Garantie: the only certification attesting to French manufacturing
- Enhanced traceability
- Local expertise and service



SOCIAL AND TERRITORIAL IMPACT

- Responsible local purchasing (40% of suppliers are local and regional)
- Inclusion of people with disabilities: luminaires made in part by partners of the ESAT in La Ferté-Bernard
- Sponsoring partner of Habitat & Humanisme, an association fighting against poor housing

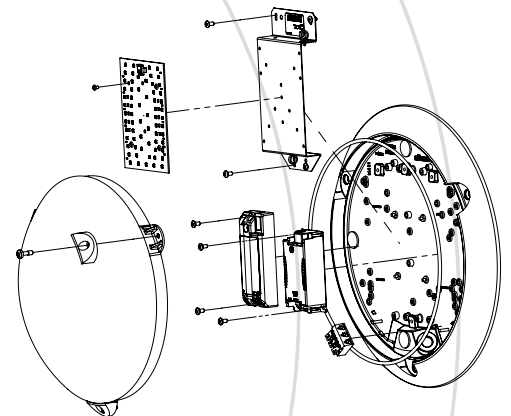


**A new step
towards
committed
and
responsible
lighting.**



100% REPAIRABLE

There are identification numbers inside every Sécurlite fitting. Every spare part is available.






Eco-designed

- Low carbon footprint: up to 152 lm/W, 100,000-hour, 62% of polycarbonate from re-use
- Eco-designed with product life cycle analysis (LCA)
- PEP ecopassport® certification
- Economical for the operator and user
- - 100% repairable

VOILA DURABLE

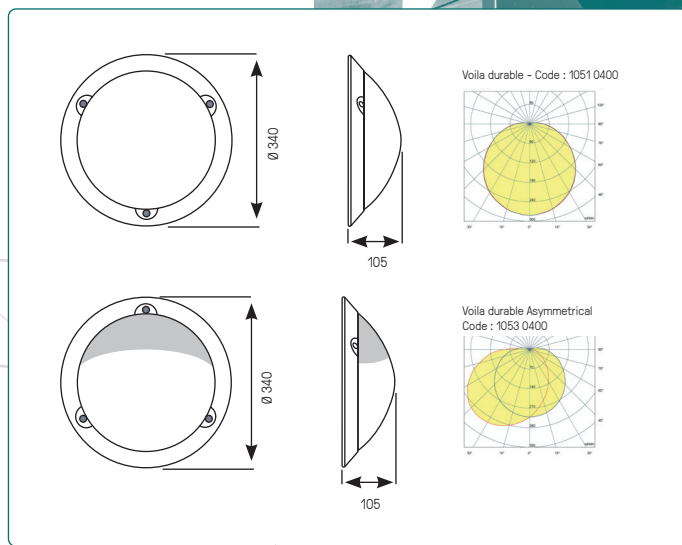
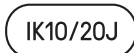


FEATURES

- Low-consumption architectural luminaire
- Recycled polycarbonate base
- Opalescent polycarbonate diffuser
- Captive, stainless steel vandal-resistant screws
- Slide and rear cable entries
- CCT 4000 K, CRI min. 80
- Design : Xavier Houy
- RAL 9003 
- RAL 7035 
- RAL 9005 

OPTIONS AVAILABLE ON REQUEST

- 3000 K LEDs
- Crosspoint screws




A recycled,
recyclable and
repairable luminaire
designed to last.

VOILA DURABLE

220-240 V AC / 50 / 60 Hz

 RoHS

 direct 105

Lumen maintenance: L80B10 / 100 000 h / Switching cycles: 1 000 000

Code	Colour	Power (W)*	Luminaire light output (lm)*	Luminaire efficacy (lm / W)
1051 04--	White RAL 9003	14	2133	152
		16	2422	151
1051 34--	Grey RAL 7035	14	2063	147
		16	2342	146
1051 24--	Black RAL 9005	14	1984	142
		16	2252	141

Coding colour temperature 3000 K:

replace 4 with 3

example 4000K: 1051 04--
3000K: 1051 03--



Radio remote control to be ordered separately.
code: 9800 0010



Vandal-resistant tool (bit) to be ordered separately.
code: 9800 0003

Coding: replace the two dashes (--) by the corresponding figures:


example 1051 03--

- 00 NO DETECTION
- 11 WITH DETECTION
- 13 WITH PRO DETECTION + EXTINCTION OR STANDBY WARNING
- 16 WITH PRO DETECTION + RADIO-CONTROL
- 17 WITH PRO DETECTION + EXTINCTION OR STANDBY WARNING + RADIO-CONTROL
- 21 DALI DIMMABLE + SWITCH DIMMING

* version 00

VOILA DURABLE ASYMMETRICAL

220-240 V AC / 50 / 60 Hz

 RoHS

 direct 105

Lumen maintenance: L80B10 / 100 000 h / Switching cycles: 1 000 000

Code	Colour	Power (W)*	Luminaire light output (lm)*	Luminaire efficacy (lm / W)
1053 04--	White RAL 9003	17	2637	155
		20	2968	148
1053 34--	Grey RAL 7035	17	2637	155
		20	2968	148
1053 24--	Black RAL 9005	17	2637	155
		20	2968	148

Coding colour temperature 3000 K:

replace 4 with 3

example 4000K: 1053 04--
3000K: 1053 03--



Radio remote control to be ordered separately.
code: 9800 0010



Vandal-resistant tool (bit) to be ordered separately.
code: 9800 0003

Coding: replace the two dashes (--) by the corresponding figures:

example 1053 03--

- 00 NO DETECTION
- 11 WITH DETECTION
- 13 WITH PRO DETECTION + EXTINCTION OR STANDBY WARNING
- 16 WITH PRO DETECTION + RADIO-CONTROL
- 17 WITH PRO DETECTION + EXTINCTION OR STANDBY WARNING + RADIO-CONTROL

* version 00



With Voila Durable, Securlite is committed to reducing the environmental impact of its luminaires by publishing its **Product Environmental Profile (PEP)** on the PEP ecopassport® website.

WHAT IS A PEP?

PEP ecopassport® is the benchmark programme in France to declare the environmental impact of electrical products, enabling the environmental performance of products to be certified. This approach is part of the **Life Cycle Assessment (LCA)** concept, which assesses the overall environmental impact of a product from the extraction of raw materials to the end of its useful life.

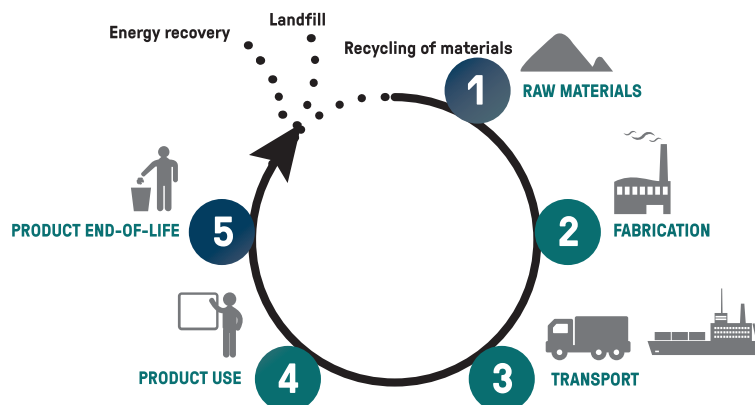
It is a type III environmental declaration checked by an independent auditor in accordance with ISO 14025 and governed by standards and guidelines:

- PCR ed.4 (Product Category Rules) of 2021, defines the content of all PEPs,
- PSR (Product Specific Rules) specifies the particularities for each type of equipment. For luminaires: PSR-0014 ed.2 of 13-07-2023.

WHY A PEP?

The PEP makes it possible to compare the environmental impact of equivalent products using the same reference system.

It enables manufacturers to make design choices that limit environmental impact and to determine where they should concentrate their efforts (choice of materials, energy efficiency, etc.).



+ This PEP ecopassport® certification reflects our ongoing commitment to sustainability and our responsibility as a company. Download the PEP ecopassport R: <https://register.pep-ecopassport.org/pep/consult>



SÉCURLITE

DURABLE LIGHT

Z.I. DES AJEUX
72400 LA FERTÉ-BERNARD

FRANCE

+33 2 43 60 40 00
EXPORT@SECURLITE.COM
WWW.SECURLITE.COM



Securlite is committed to the fight for sustainable development.

Technical and dimensional data are given for information only and may be modified at any time without notice. Please enquire before ordering.
Terms and conditions are available at: www.securlite.com/terms
or upon request from our Sales Department.

Photo credits: Securlite - Adobe Stock



Printed on FSC paper.
Paper from responsible sources.
FSC (Forest Stewardship Council)



CAT0670 - APRIL 2024 - EN