

ALEANE

Extra-low profile vandal-resistant
architectural luminaire.



BVCert. 6037554



Aleane is characterised by its low height, which makes it a luminaire particularly suited to spaces with limited height or depth. The luminaire is ideal for underpasses maintenance pits, for example.

It is a durable luminaire, resistant to vandalism up to 80 J (IK11*). Its anti-corrosion treated steel base and its polyester powder coating make it resistant to and long-lasting durability.

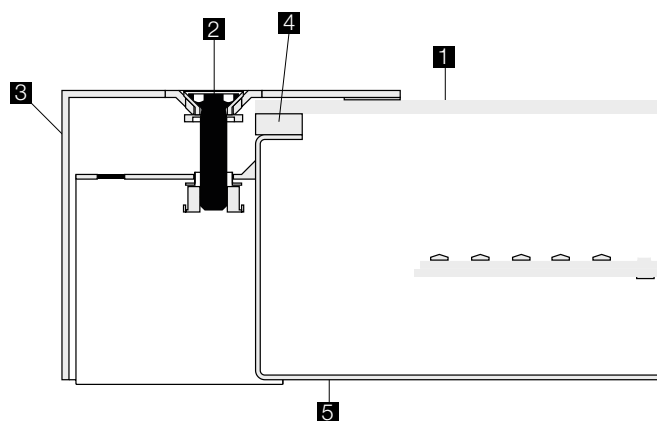
Aleane is a modular luminaire that can be used for trunking (on request).

Aleane uses high-quality, recycled and recyclable materials and is designed to be repairable.



EXTRA-LOW PROFILE VANDAL-RESISTANT LUMINAIRE FOR BUILDINGS, PUBLIC SPACES AND TRANSPORT

- 1 Opalescent polycarbonate diffuser (80J)
- 2 Stainless steel tamper-resistant screws
- 3 Frame in anticorrosion-treated steel with polyester powder-coated finish
- 4 EDPM seal (IP55)
- 5 Anticorrosion-treated steel base with polyester powder-coated finish





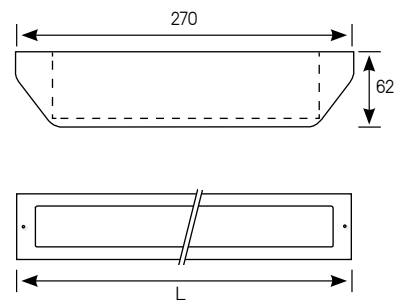
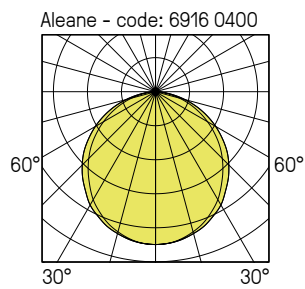


FEATURES:

- Extra-low profile vandal-resistant and rip-out-resistant architectural luminaire
- Base in 1 mm thick anticorrosion-treated steel with polyester powder-coated finish
- Cover in 1.5 mm thick anticorrosion-treated steel with polyester powder-coated finish
- Polycarbonate diffuser 3 mm opalescent
- Symmetrical or asymmetrical reflector
- Protected cable entries
- CCT 4000 K, CRI min. 80
- Stainless steel vandal-resistant screws
- Fixing outside the sealed body
- RAL 9003 ○

OPTIONS AVAILABLE ON REQUEST:

- 3000 K LEDs
- Version with emergency pack
- Standby LED
- Through wiring
- Class II




Length L (mm)	Power (W)	Luminaire light output (lm)	Luminaire efficacy (lm / W)	Code
715	17	2000	118	6915 04--
715	41	4400	107	6916 04--
1325	41	4600	112	6917 04--
1325	70	7600	109	6918 04--

Lumen maintenance: L80B10 / over 72,000 h
L90B50 / 52,000 h

Coding colour temperature 3000 K: example 4000K: 6915 04--
replace 4 with 3 3000K: 6915 03--

Coding: replace the two dashes (--) by
the corresponding figures:
example 6915 04--

- 00 NO DETECTION
- 12 WITH DETECTION PRO
- 21 DALI DIMMABLE + SWITCH DIMMING

 Vandal-resistant tool (bit) to be ordered separately
code : 9800 0004

Additional options ALEANE

Coding:
add the corresponding suffix to the product code

example: 6915 0400 ----

- 9101 THROUGH WIRING
- 9413 FLAT DUROFLAM® DIFFUSER
- 9601 ANTI-GRAFFITI PROTECTION
- 9702 STAINLESS STEEL CROSSPOINT SCREWS (VK44)
- 9801 IN-LINE FITTING

DETAILS



