

# Stainless steel ESL

A stainless steel  
flush-mounting luminaire  
for outdoor spaces subject  
to vandalism and corrosion.



BVCert. 6037554



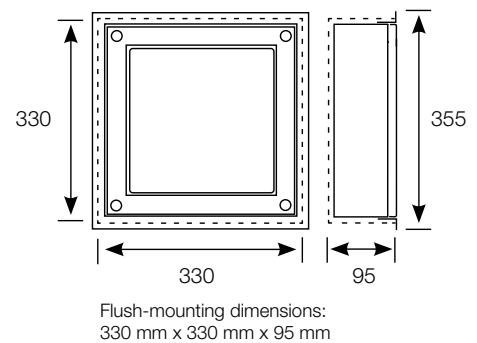
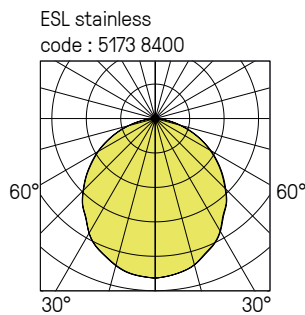


**FEATURES:**

- Architectural luminaire with flush diffuser
- 316L stainless steel body
- Brushed 316L stainless steel frame
- Opalescent polycarbonate diffuser
- CCT 4000 K, CRI min. 80
- Stainless steel vandal-resistant screws
- Supplied c/w cable seal

**OPTIONS AVAILABLE ON REQUEST:**

- 3000 K LEDs



**ESL stainless**

220-240 V AC / 50 / 60 Hz



direct 518

Power (W)	Luminaire light output (lm)	Luminaire efficacy (lm / W)	Code
17	1500	88	5174 84--
26	2350	90	5173 84--

Lumen maintenance: L80B10 / 72,000 h

Vandal-resistant tool (bit) to be ordered separately  
code : 9800 0004

**Coding colour temperature 3000 K :** example 4000K : 5174 84--  
replace 4 with 3 3000K : 5174 83--

**Coding:** replace the two dashes (--) by the corresponding figures:  
example 5174 84--

- 00 NO DETECTION
- 21 DALI DIMMABLE + SWITCH DIMMING

**Additional options for ESL stainless**

**Coding:**  
add the corresponding suffix to the product code

example : 5174 8400 ----  
9702 STAINLESS STEEL CROSSPOINT SCREWS (VK44)