

Stainless steel TITAN S4

A compact stainless steel
flush-mounting luminaire
for outdoor spaces subject
to vandalism and corrosion.



BVCert. 6037554



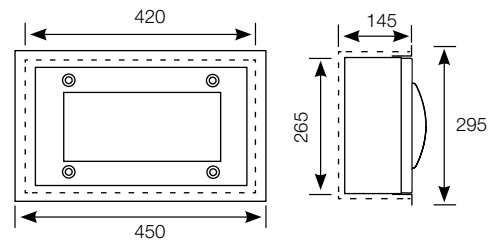
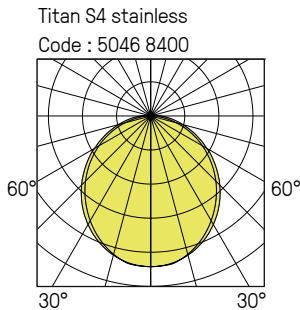


FEATURES:

- High-power vandal-resistant luminaire
- 316L stainless steel body
- Brushed 316L stainless steel frame
- Opalescent polycarbonate diffuser
- CCT 4000 K, CRI min. 80
- Stainless steel vandal-resistant screws
- Supplied c/w cable seal

OPTIONS AVAILABLE ON REQUEST:

- 3000 K LEDs
- Standby LED
- Opalescent polycarbonate flat diffuser (IK11+ 80J)



Flush-mounting dimensions:
420 mm x 265 mm x 145 mm

TITAN S4 Stainless

220-240 V AC / 50 / 60 Hz



direct 644

Power (W)	Luminaire light output (lm)	Luminaire efficacy (lm/W)	Code
14	1500	107	5046 84--
22	2500	114	5047 84--
34	3450	101	5045 84--

Lumen maintenance: L80B10 / 72,000 h

Coding colour temperature 3000 K : example 4000K : 5046 84--
replace 4 with 3 3000K : 5046 83--

Vandal-resistant tool (bit) to be ordered separately
code : 9800 0004

Coding: replace the two dashes (--) by the corresponding figures:
example 5046 84--
00 NO DETECTION
12 WITH DETECTION PRO

ADDITIONAL OPTIONS STAINLESS TITAN S4

Coding:
add the corresponding suffix to the product code

example : 5046 8400 ----
9413 FLAT DUROFLAM® DIFFUSER
9415 FLAT OPALESCENT PC DIFFUSER
9601 ANTI-GRAFFITI PROTECTION (DIFFUSER ONLY)
9702 STAINLESS STEEL CROSSPOINT SCREWS (VK54)