

## Features

- Input voltage: 220–240 V AC, 50/60 Hz
- Input voltage range: 198–264 V AC
- Electrical protection class 1
- IP: 66
- IK: 11++ / 120 joules
- Incandescent wire test 850° / 30 s
- Rated ambient operating temperature: 25 °C
- Operating temperature range : -20 °C ... +35 °C
- Anti-rip-out skirt, 4 internal fixing points
- VK65 surface mounted, VK66 ceiling mounted, VK66 flush mounted
- CRI: 80
- SDCM (Standard Deviation Colour Matching): 3
- Photobiological hazard: RG0
- Energy class C light source
- Lumen maintenance: L80B10 / 72,000 hours
- Number of detector switching cycles: 1,000,000 at maximum load.
- Repairable luminaire. Spare parts available on demand
- 5-year guarantee, details of conditions available on [securlite.com](http://securlite.com)

## Applications

- Decorative luminaire for indoor, outdoor, subject to moderate and severe vandalism
- Conditions of use:
  - Models with detection: suitable for indoor use
  - Installation positions: refer to installation instructions

## Materials

- Marine-grade die-cast aluminium base
- Diffuser: opal polycarbonate
- Flush-mounting surround (option): steel treated by electrophoresis, paint finish to match base
- RoHS: the products contain no prohibited substances as defined in the European Directive 2011/65/UE and amendments

## Colours / Finish

- Colour: matt black RAL 9005, grey aluminium RAL 9006, matt white RAL 9016
- Abrasion-resistant polyester paint finish, withstands chemical elements and pollutants

## Wiring

- Supply terminal block: automatic, dual-entry, for 1.5 mm<sup>2</sup> conductors
- 2 × 20.5 mm Ø cable entry for cable gland

*Technical and dimensional data are given for information only and may be modified at any time without notice. Please enquire before ordering.*

05/01/2024

## Fixings

- Diffuser: retained by 3 × M5 stainless 2-point tamper-proof screws with sealing washers

## Facilities available

- Standard screws (VK54): add the suffix **9702** to the product code – example: 252xxxxx **9702**
- Flush-mounting version: add the suffix **9802** to the product code – example: 252xxxxx **9802**
- 3W stand-by LED (on request): add the suffix **9301** to the product code – example: 252xxxxx **9301**

## Tools

(to be ordered separately)

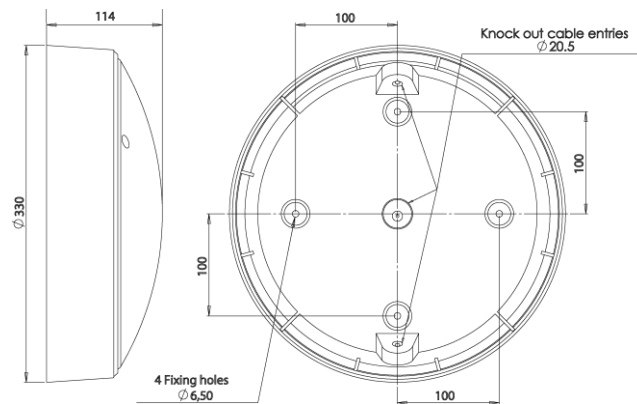
- M5 bit for 2-point tamper-proof screws – code: **98000003**
- Remote control (radio-control version) – code: **98000010**
- M5 bit-holder screwdriver – code: **98000005**

## Approvals

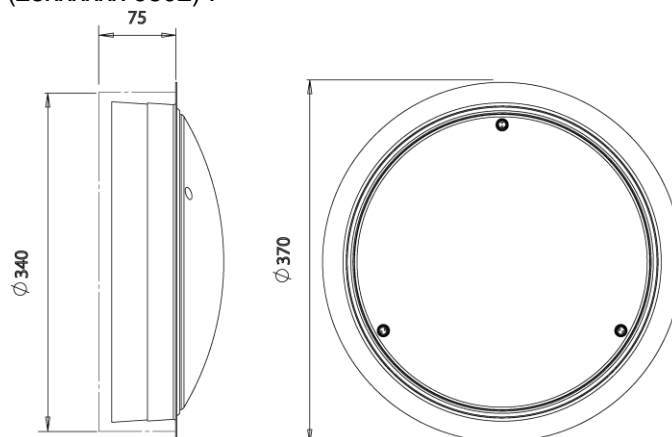
Certificates available:

- CE certificate (as per EN60598-1 / 2-1 / 2-2)
- Incandescent Wire Test certificate (depending on product)

## Dimensions



Flush-mounting version (25xxxxxx 9802) :



Technical and dimensional data are given for information only and may be modified at any time without notice. Please enquire before ordering.

05/01/2024

## Technical data and order codes

RONDO LED									
Designation	CCT (K)	Power (W)	Power in stand-by (W)	Luminaire output (lm)	Luminaire efficacy (lm/W)	White	Grey	Black	Weight (kg)
Rondo LED 1800	3000	12	-	1500	125	25200300	25201300	25202300	3,8
Rondo LED 1800	4000	12	-	1550	129	25200400	25201400	25202400	3,8
Rondo LED 2400	3000	17	-	2050	121	25230300	25231300	25232300	3,8
Rondo LED 2400	4000	17	-	2150	126	25230400	25231400	25232400	3,8
Rondo LED 3000	3000	20	-	2450	123	25220300	25221300	25222300	3,8
Rondo LED 3000	4000	20	-	2550	128	25220400	25221400	25222400	3,8

RONDO LED + Pro detection									
technical specifications and conditions of use for detection (NOT0410): <a href="http://www.securlite.com">www.securlite.com</a> (NOT0410)									
Designation	CCT (K)	Power (W)	Power in stand-by (W)	Luminaire output (lm)	Luminaire efficacy (lm/W)	White	Grey	Black	Weight (kg)
Rondo LED 1800	3000	12	<0,5	1500	125	25200312	25201312	25202312	4
Rondo LED 1800	4000	12	<0,5	1550	129	25200412	25201412	25202412	4
Rondo LED 2400	3000	18	<0,5	2050	114	25230312	25231312	25232312	4
Rondo LED 2400	4000	18	<0,5	2150	119	25230412	25231412	25232412	4
Rondo LED 3000	3000	21	<0,5	2450	117	25220312	25221312	25222312	4
Rondo LED 3000	4000	21	<0,5	2550	121	25220412	25221412	25222412	4

RONDO LED with Pro detection + extinction or standby warning									
technical specifications and conditions of use for detection (NOT0425): <a href="http://www.securlite.com">www.securlite.com</a> (NOT0425)									
Designation	CCT (K)	Power (W)	Power in stand-by (W)	Luminaire output (lm)	Luminaire efficacy (lm/W)	White	Grey	Black	Weight (kg)
Rondo LED 1800	3000	13	<0,5	1500	115	25200313	25201313	25202313	4
Rondo LED 1800	4000	13	<0,5	1550	119	25200413	25201413	25202413	4
Rondo LED 2400	3000	18	<0,5	2050	114	25230313	25231313	25232313	4
Rondo LED 2400	4000	18	<0,5	2150	119	25230413	25231413	25232413	4
Rondo LED 3000	3000	21	<0,5	2450	117	25220313	25221313	25222313	4
Rondo LED 3000	4000	21	<0,5	2550	121	25220413	25221413	25222413	4

RONDO LED slave version + extinction or stand-by warning									
technical specifications and conditions of use for detection (NOT0435): <a href="http://www.securlite.com">www.securlite.com</a> (NOT0435)									
Designation	CCT (K)	Power (W)	Power in stand-by (W)	Luminaire output (lm)	Luminaire efficacy (lm/W)	White	Grey	Black	Weight (kg)
Rondo LED 1800	3000	13	<0,5	1500	115	25200303	25201303	25202303	4
Rondo LED 1800	4000	13	<0,5	1550	119	25200403	25201403	25202403	4
Rondo LED 2400	3000	18	<0,5	2050	114	25230303	25231303	25232303	4
Rondo LED 2400	4000	18	<0,5	2150	119	25230403	25231403	25232403	4
Rondo LED 3000	3000	21	<0,5	2450	117	25220303	25221303	25222303	4
Rondo LED 3000	4000	21	<0,5	2550	121	25220403	25221403	25222403	4

RONDO LED with Pro detection + radio-control									
technical specifications and conditions of use for detection (NOT0420): <a href="http://www.securlite.com">www.securlite.com</a> (NOT0420)									
Designation	CCT (K)	Power (W)	Power in stand-by (W)	Luminaire output (lm)	Luminaire efficacy (lm/W)	White	Grey	Black	Weight (kg)
Rondo LED 1800	3000	12	0,5	1500	125	25200316	25201316	25202316	4
Rondo LED 1800	4000	12	0,5	1550	129	25200416	25201416	25202416	4
Rondo LED 2400	3000	18	0,5	2050	114	25230316	25231316	25232316	4
Rondo LED 2400	4000	18	0,5	2150	119	25230416	25231416	25232416	4
Rondo LED 3000	3000	21	0,5	2450	117	25220316	25221316	25222316	4
Rondo LED 3000	4000	21	0,5	2550	121	25220416	25221416	25222416	4

Technical and dimensional data are given for information only and may be modified at any time without notice. Please enquire before ordering.

05/01/2024

## Technical data and order codes

<b>RONDO LED with Pro detection + extinction or standby warning + radio-control</b>									
<i>technical specifications and conditions of use for detection (NOT0430): <a href="http://www.securlite.com">www.securlite.com</a> (NOT0430)</i>									
Designation	CCT (K)	Power (W)	Power in stand-by (W)	Luminaire output (lm)	Luminaire efficacy (lm/W)	White	Grey	Black	Weight (kg)
Rondo LED 1800	3000	13	0,5	1500	115	25200317	25201317	25202317	4
Rondo LED 1800	4000	13	0,5	1550	119	25200417	25201417	25202417	4
Rondo LED 2400	3000	18	0,5	2050	114	25230317	25231317	25232317	4
Rondo LED 2400	4000	18	0,5	2150	119	25230417	25231417	25232417	4
Rondo LED 3000	3000	21	0,5	2450	117	25220317	25221317	25222317	4
Rondo LED 3000	4000	21	0,5	2550	121	25220417	25221417	25222417	4

<b>RONDO LED slave version + extinction or stand-by warning + radio-control</b>									
<i>technical specifications and conditions of use for detection (NOT0440): <a href="http://www.securlite.com">www.securlite.com</a> (NOT0440)</i>									
Designation	CCT (K)	Power (W)	Power in stand-by (W)	Luminaire output (lm)	Luminaire efficacy (lm/W)	White	Grey	Black	Weight (kg)
Rondo LED 1800	3000	13	0,5	1500	115	25200307	25201307	25202307	4
Rondo LED 1800	4000	13	0,5	1550	119	25200407	25201407	25202407	4
Rondo LED 2400	3000	18	0,5	2050	114	25230307	25231307	25232307	4
Rondo LED 2400	4000	18	0,5	2150	119	25230407	25231407	25232407	4
Rondo LED 3000	3000	21	0,5	2450	117	25220307	25221307	25222307	4
Rondo LED 3000	4000	21	0,5	2550	121	25220407	25221407	25222407	4

<b>RONDO LED + DALI dimmable + switch dimming</b>									
Designation	CCT (K)	Power (W)	Power in stand-by (W)	Luminaire output (lm)	Luminaire efficacy (lm/W)	White	Grey	Black	Weight (kg)
Rondo LED 1800	3000	12	<0,5	1500	125	25200321	25201321	25202321	4
Rondo LED 1800	4000	12	<0,5	1550	129	25200421	25201421	25202421	4
Rondo LED 2400	3000	18	<0,5	2050	114	25230321	25231321	25232321	4
Rondo LED 2400	4000	18	<0,5	2150	119	25230421	25231421	25232421	4
Rondo LED 3000	3000	21	<0,5	2450	117	25220321	25221321	25222321	4
Rondo LED 3000	4000	21	<0,5	2550	121	25220421	25221421	25222421	4

- Operating instruction : [www.securlite.com](http://www.securlite.com) (NOT0545)