

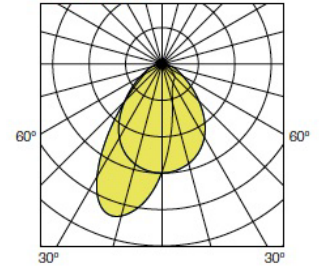


FILA 2 70 LED CLEAR + WALLWASHER OPTICS

Features

- Input voltage: 220–240 V AC, 50/60 Hz
- Input voltage range: 198–264 V AC
- Electrical protection class 1
- IP: 67
- IK: 10 / 20 joules
- Incandescent wire test 850 °C / 30 s Rated ambient operating temperature: 25 °C
- Operating temperature range : -20 °C ... +35 °C
- VK21 wall-mounted, VK21 ceiling-mounted, VK21 suspended
- CRI: 80
- SDCM (Standard Deviation Colour Matching): 3
- Photobiological hazard: RG0
- Energy class C light source
- Lumen maintenance: L80B10 / over 72,000 hours
- Lumen maintenance: L90B50 / 52,000 hours
- Number of detector switching cycles: 1,000,000 at maximum load.
- Repairable luminaire. Spare parts available on demand
- 5-year guarantee, details of conditions available on securlite.com

Fila 2 70 wallwasher optics
code: 73367400



Applications

- Architectural luminaire with wallwasher optics for indoor and outdoor environments subject to moderate vandalism
- Conditions of use:
 - UGR and GR to be confirmed for each lighting project.
 - Installation positions: refer to installation instructions

Materials

- UV-stabilized clear polycarbonate body, 66 mm Ø, thickness 2 mm
- Plug-in terminal block
- Flow control wallwasher optics
- End caps and fittings: 304L or 316L stainless steel (depending on the version)
- Sealing via compressed silicone gasket
- Closure by 2 stainless screws CHC at each end
- IP67 cable gland at one end
- RoHS: the products contain no prohibited substances as defined in the European Directive 2011/65/UE and amendments

Colours / Finish

- Clear polycarbonate body with white reflector plate

Wiring

- Supply terminal block: connector conductors
 - 1,5 mm² (3G1.5mm² or 5G1.5mm² cable)
 - 2.5mm² (3 G2.5mm² cable only)
- Cable gland for cable with ø 6 to 12 mm max

Technical and dimensional data are given for information only and may be modified at any time without notice. Please enquire before ordering.

05/01/2024

Fixings

- End caps closed using 2 × M6 stainless screws with CHC-type heads

Facilities available

- Through wiring: add the suffix **9101** to the product code – example: 73xxxxxx **9101**
- Quick connect: add the suffix **9102** to the product code – example: 73xxxxxx **9102**
- Quick connect + through wiring: add the suffix **9103** to the product code – example: 73xxxxxx **9103**
- Stainless vandal-resistant screws: add the suffix **9701** to the product code – example: 73xxxxxx **9701**
- In-line joiner: add the suffix **9801** to the product code – example: 73xxxxxx **9801**

Accessories (to be ordered separately)

Fila²70

Kit of 304L stainless fittings for wall mounting, standard screw fixing – code **98737001**

Kit of 304L stainless fittings for wall mounting, turnbuckle fixing – code **98737002**

Kit of 304L stainless fittings for suspended mounting, standard screw fixing – code **98737003**

Kit of 316L stainless fittings for wall mounting, standard screw fixing – code **9873 8001**

Kit of 316L stainless fittings for suspended mounting, standard screw fixing – code **9873 8003**

One kit contains two fittings.

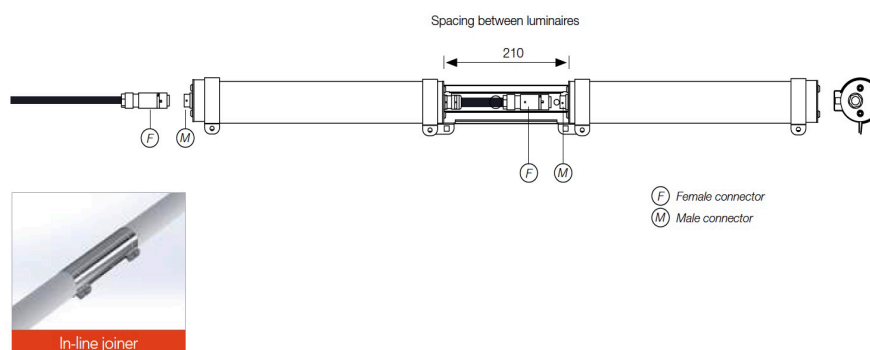
Optional stainless steel vandal-resistant screws: add suffix 9701 to the product code: e.g. **987370019701**

In-line joiner

304L stainless steel joiner for Fila²70 – code 98737004

316L stainless steel joiner Fila²70 – code 98738004

The stainless steel joiners must be ordered separately.



For use only in association with additional option code 9801 (in-line fitting): e.g. 733673009801

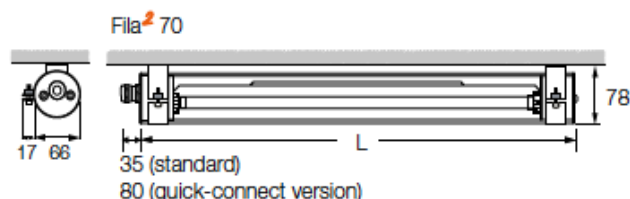
Optional stainless steel vandal-resistant screws: add suffix 9701 to the product code: e.g. 987370049701

Approvals

Certificates available:

- CE certificate (as per EN60598-1 / 2-1)
- Incandescent Wire Test certificate (depending on product)

Dimensions



Technical and dimensional data are given for information only and may be modified at any time without notice. Please enquire before ordering.

05/01/2024

Technical data and order codes

FILA 2 70 LED + wallwasher optics									
Designation	CCT (K)	Power (W)	Power in standby (W)	Power factor	L (mm)	Luminaire output (lm)	Luminaire efficacy (lm/W)	304L stainless steel	316L stainless steel
2 modules LLC1300	3000	19	-	>0,9	690	2359	124	73367300	73368300
2 modules LLC1300	4000	19	-	>0,9	690	2460	129	73367400	73368400
3 modules LLC1300	3000	26	-	>0,9	970	3381	130	73377300	73378300
3 modules LLC1300	4000	26	-	>0,9	970	3523	136	73377400	73378400
4 modules LLC1300	3000	36	-	>0,9	1250	4720	131	73387300	73388300
4 modules LLC1300	4000	36	-	>0,9	1250	4918	137	73387400	73388400
5 modules LLC1300	3000	41	-	>0,9	1530	5424	132	73397300	73398300
5 modules LLC1300	4000	41	-	>0,9	1530	5654	138	73397400	73398400

Operating instruction : www.securlite.com (NOT0565)

Technical and dimensional data are given for information only and may be modified at any time without notice. Please enquire before ordering.

05/01/2024