

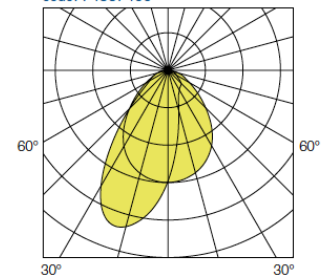


FILA 2 100 LED CLEAR + WALLWASHER OPTICS

Features

- Input voltage: 220–240 V AC, 50/60 Hz
- Input voltage range: 198–264 V AC
- Electrical protection class 1
- IP: 67
- IK: 10 / 20 joules
- Incandescent wire test 850 °C / 30 s Rated ambient operating temperature: 25 °C
- Operating temperature range : -20 °C ... +35 °C
- VK21 wall-mounted, VK21 ceiling-mounted, VK21 suspended
- CRI: 80
- SDCM (Standard Deviation Colour Matching): 3
- Photobiological hazard: RG0
- Energy class C light source
- Lumen maintenance: L80B10 / over 72,000 hours
- Number of detector switching cycles: 1,000,000 at maximum load.
- Repairable luminaire. Spare parts available on demand
- 5-year guarantee, details of conditions available on securlite.com

Fila 2 100 wallwasher optics
code: 74367400



Applications

- Architectural luminaire with wallwasher optics for indoor and outdoor environments subject to moderate vandalism
- Conditions of use:
 - UGR and GR to be confirmed for each lighting project.
 - Installation positions: refer to installation instructions

Materials

- UV-stabilized clear polycarbonate body, 98 mm Ø, thickness 2 mm
- Plug-in terminal block
- Flow control wallwasher optics
- End caps and fittings: 304L or 316L stainless steel (depending on the version)
- Sealing via compressed silicone gasket
- Closure by 2 stainless screws CHC at each end
- IP67 ISO M20 cable gland at one end
- Ø 98 mm: protective vent for secure sealing
- RoHS: the products contain no prohibited substances as defined in the European Directive 2011/65/UE and amendments

Colours / Finish

- Clear polycarbonate body with white reflector plate

Wiring

- Supply terminal block: connector conductors
 - 1,5 mm² (3G1.5mm² or 5G1.5mm² cable)
 - 2.5mm² (3 G2.5mm² cable only)
- Cable gland for cable with ø 6 to 12 mm max

Technical and dimensional data are given for information only and may be modified at any time without notice. Please enquire before ordering.

05/01/2024

Fixings

- End caps closed using 2 × M6 stainless screws with CHC-type heads

Facilities available

- Through wiring: add the suffix **9101** to the product code – example: 74xxxxxx **9101**
- Quick connect: add the suffix **9102** to the product code – example: 74xxxxxx **9102**
- Quick connect + through wiring: add the suffix **9103** to the product code – example: 74xxxxxx **9103**
- Stainless vandal-resistant screws: add the suffix **9701** to the product code – example: 74xxxxxx **9701**
- In-line joiner: add the suffix **9801** to the product code – example: 74xxxxxx **9801**

Accessories (to be ordered separately)

Fila²100

Kit of 304L stainless fittings for wall mounting, standard screw fixing – code **98747001**

Kit of 304L stainless fittings for wall mounting, turnbuckle fixing – code **98747002**

Kit of 304L stainless fittings for suspended mounting, standard screw fixing – code **98747003**

Kit of 316L stainless fittings for wall mounting, standard screw fixing – code **98748001**

Kit of 316L stainless fittings for suspended mounting, standard screw fixing – code **98748003**

One kit contains two fittings.

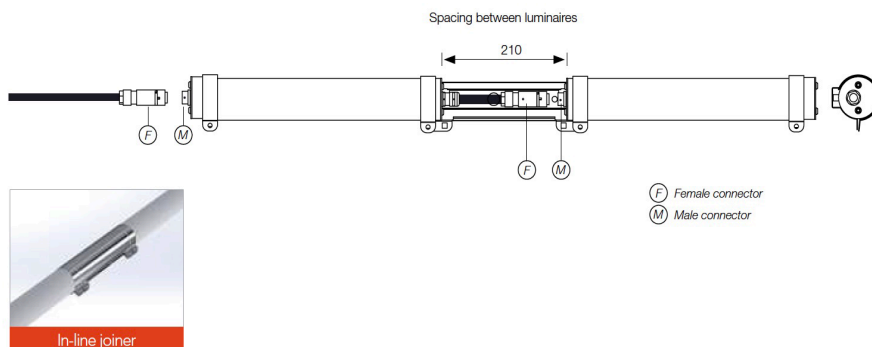
Optional stainless steel vandal-resistant screws: add suffix 9701 to the product code: e.g. **987470019701**

In-line joiner

304L stainless steel joiner for Fila²100 – code 98747004

316L stainless steel joiner Fila²100 – code 98748004

The stainless steel joiners must be ordered separately.



For use only in association with additional option code 9801 (in-line fitting): e.g. 743673009801

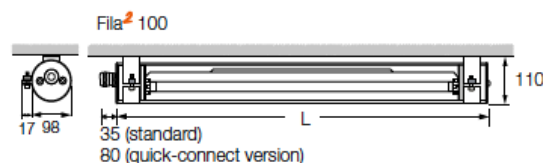
Optional stainless steel vandal-resistant screws: add suffix 9701 to the product code: e.g. 987470049701

Approvals

Certificates available:

- CE certificate (as per EN60598-1 / 2-1)
- Incandescent Wire Test certificate (depending on product)

Dimensions



Technical and dimensional data are given for information only and may be modified at any time without notice. Please enquire before ordering.

05/01/2024

Technical data and order codes

FILA 2 100 LED + wallwasher optics									
Designation	CCT (K)	Power (W)	Power in standby (W)	Power factor	L (mm)	Luminaire output (lm)	Luminaire efficacy (lm/W)	304L stainless steel	316L stainless steel
2 modules LLC1300	3000	26	-	>0,9	690	3300	127	74367300	74368300
2 modules LLC1300	4000	26	-	>0,9	690	3439	132	74367400	74368400
3 modules LLC1300	3000	36	-	>0,9	970	4645	129	74377300	74378300
3 modules LLC1300	4000	36	-	>0,9	970	4842	135	74377400	74378400
4 modules LLC1300	3000	49	-	>0,9	1250	6145	125	74387300	74388300
4 modules LLC1300	4000	49	-	>0,9	1250	6405	131	74387400	74388400
5 modules LLC1300	3000	63	-	>0,9	1530	7949	126	74397300	74398300
5 modules LLC1300	4000	63	-	>0,9	1530	8284	131	74397400	74398400

Operating instruction : www.securlite.com (NOT0565)

Technical and dimensional data are given for information only and may be modified at any time without notice. Please enquire before ordering.

05/01/2024