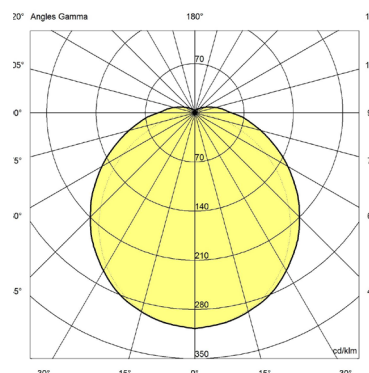




FILA 2 100

Features

- Input voltage: 220–240 V AC, 50/60 Hz
- Input voltage range: 198–264 V AC
- Electrical protection class 1
- IP: 67
- IK: 10 / 20 joules
- Incandescent wire test 850 °C / 30 s
- Rated ambient operating temperature: 25 °C
- Operating temperature range : -20 °C ... +35 °C
- VK21 wall-mounted, VK21 ceiling-mounted, VK21 suspended
- CRI: 80
- SDCM (Standard Deviation Colour Matching): 3
- Photobiological hazard: RG0
- Energy class C light source
- Lumen maintenance: L80B10 / over 72,000 hours
- Repairable luminaire. Spare parts available on demand
- 5-year guarantee, details of conditions available on securlite.com



Applications

- Decorative luminaire for indoor and outdoor environments subject to moderate vandalism
- Conditions of use:
 - Version with detection: not recommended for outdoor use
 - Installation positions: refer to installation instructions

Materials

- UV-stabilized opal polycarbonate body, 98 mm Ø, thickness 2 mm
- Plug-in terminal block
- End caps and fittings: 304L or 316L stainless steel (depending on the version)
- Sealing via compressed silicone gasket
- Closure by 2 stainless screws CHC at each end
- IP67 cable gland at one end
- Protective Vent for a long lasting seal
- RoHS: the products contain no prohibited substances as defined in the European Directive 2011/65/UE and amendments

Colours / Finish

- Opal polycarbonate body with white reflector plate

Wiring

- Supply terminal block: connector conductors
 - 1,5 mm² (3G1.5mm² or 5G1.5mm² cable)
 - 2.5mm² (3 G2.5mm² cable only)
- Cable gland for cable with ø 6 to 12 mm max

Fixings

- End caps closed using 2 × M6 stainless screws with CHC-type heads

Facilities available

- Through wiring: add the suffix **9101** to the product code – example: 74xxxxxx **9101**
- Quick connect: add the suffix **9102** to the product code – example: 74xxxxxx **9102**
- Quick connect + through wiring: add the suffix **9103** to the product code – example: 74xxxxxx **9103**
- Stainless vandal-resistant screws: add the suffix **9701** to the product code – example: 74xxxxxx **9701**
- In-line joiner: add the suffix **9801** to the product code – example: 74xxxxxx **9801**
- Class 2: add the suffix **9502** to the product code – example: 73xxxxxx**9502**

Accessories (to be ordered separately)

Fila 2 100

Kit of 304L stainless fittings for wall mounting, standard screw fixing – code **98747001**

Kit of 304L stainless fittings for wall mounting, tumbuckle fixing – code **98747002**

Kit of 304L stainless fittings for suspended mounting, standard screw fixing – code **98747003**

Kit of 316L stainless fittings for wall mounting, standard screw fixing – code **98748001**

Kit of 316L stainless fittings for suspended mounting, standard screw fixing – code **98748003**

One kit contains two fittings.

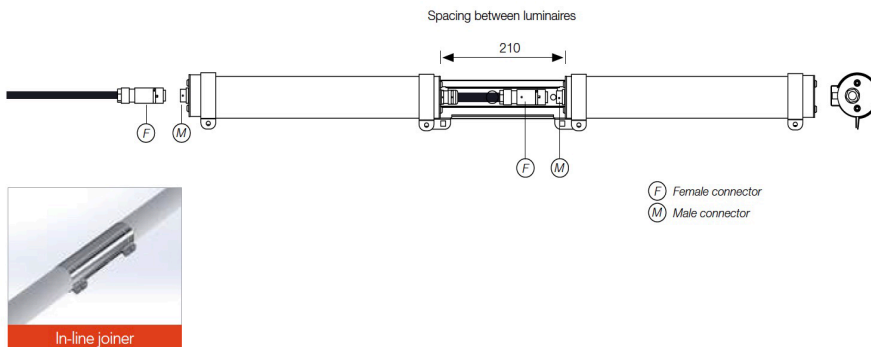
Optional stainless steel vandal-resistant screws: add suffix 9701 to the product code: e.g. **987370019701**

In-line joiner

304L stainless steel joiner for Fila 2 100 – code 98747004

316L stainless steel joiner Fila 2 100 – code 98748004

The stainless steel joiners must be ordered separately.



For use only in association with additional option code 9801 (in-line fitting): e.g. 730074009801

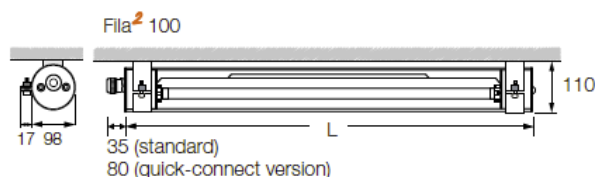
Optional stainless steel vandal-resistant screws: add suffix 9701 to the product code: e.g. 987370049701

Approvals

Certificates available:

- CE certificate (as per EN60598-1 / 2-1)
- Incandescent Wire Test certificate (depending on product)

Dimensions



Technical data and order codes

FILA 2 100 LED									
Designation	CCT (K)	Power (W)	Power in standby (W)	Power factor	L (mm)	Luminaire output (lm)	Luminaire efficacy (lm/W)	304L stainless steel reference	316L stainless steel reference
2 modules LLC1300	3000	26	-	>0,9	690	3156	121,4	74007300	74008300
2 modules LLC1300	4000	26	-	>0,9	690	3290	126,5	74007400	74008400
3 modules LLC1300	3000	36	-	>0,9	970	4512	125,3	74017300	74018300
3 modules LLC1300	4000	36	-	>0,9	970	4702	130,6	74017400	74018400
4 modules LLC1300	3000	49	-	>0,9	1250	6206	126,7	74027300	74028300
4 modules LLC1300	4000	49	-	>0,9	1250	6468	132,0	74027400	74028400
5 modules LLC1300	3000	63	-	>0,9	1530	7602	120,7	74037300	74038300
5 modules LLC1300	4000	63	-	>0,9	1530	7923	125,8	74037400	74038400

FILA 2 100 LED with Pro detection technical specifications and conditions of use for detection : www.securlite.com (NOT0410)									
Designation	CCT (K)	Power (W)	Power in standby (W)	Power factor	L (mm)	Luminaire output (lm)	Luminaire efficacy (lm/W)	304L stainless steel reference	316L stainless steel reference
2 modules LLC1300	3000	27	<0,5	>0,9	855	3156	116,9	74007312	74008312
2 modules LLC1300	4000	27	<0,5	>0,9	855	3290	121,9	74007412	74008412
3 modules LLC1300	3000	37	<0,5	>0,9	1135	4512	121,9	74017312	74018312
3 modules LLC1300	4000	37	<0,5	>0,9	1135	4702	127,1	74017412	74018412
4 modules LLC1300	3000	50	<0,5	>0,9	1415	6206	124,1	74027312	74028312
4 modules LLC1300	4000	50	<0,5	>0,9	1415	6468	129,4	74027412	74028412
5 modules LLC1300	3000	64	<0,5	>0,9	1695	7602	118,8	74037312	74038312
5 modules LLC1300	4000	64	<0,5	>0,9	1695	7923	123,8	74037412	74038412

FILA 2 100 LED with Pro detection + extinction warning technical specifications and conditions of use for detection : www.securlite.com (NOT0410)									
Designation	CCT (K)	Power (W)	Power in standby (W)	Power factor	L (mm)	Luminaire output (lm)	Luminaire efficacy (lm/W)	304L stainless steel reference	316L stainless steel reference
2 modules LLC1300	3000	27	<0,5	>0,9	855	3156	116,9	74007314	74008314
2 modules LLC1300	4000	27	<0,5	>0,9	855	3290	121,9	74007414	74008414
3 modules LLC1300	3000	37	<0,5	>0,9	1135	4512	121,9	74017314	74018314
3 modules LLC1300	4000	37	<0,5	>0,9	1135	4702	127,1	74017414	74018414
4 modules LLC1300	3000	50	<0,5	>0,9	1415	6206	124,1	74027314	74028314
4 modules LLC1300	4000	50	<0,5	>0,9	1415	6468	129,4	74027414	74028414
5 modules LLC1300	3000	64	<0,5	>0,9	1695	7602	118,8	74037314	74038314
5 modules LLC1300	4000	64	<0,5	>0,9	1695	7923	123,8	74037414	74038414

FILA 2 100 LED with Pro detection + standby warning technical specifications and conditions of use for detection : www.securlite.com (NOT0410)									
Designation	CCT (K)	Power (W)	Power in standby (W)	Power factor	L (mm)	Luminaire output (lm)	Luminaire efficacy (lm/W)	304L stainless steel reference	316L stainless steel reference
2 modules LLC1300	3000	27	<0,5	>0,9	855	3156	116,9	74007315	74008315
2 modules LLC1300	4000	27	<0,5	>0,9	855	3290	121,9	74007415	74008415
3 modules LLC1300	3000	37	<0,5	>0,9	1135	4512	121,9	74017315	74018315
3 modules LLC1300	4000	37	<0,5	>0,9	1135	4702	127,1	74017415	74018415
4 modules LLC1300	3000	50	<0,5	>0,9	1415	6206	124,1	74027315	74028315
4 modules LLC1300	4000	50	<0,5	>0,9	1415	6468	129,4	74027415	74028415
5 modules LLC1300	3000	64	<0,5	>0,9	1695	7602	118,8	74037315	74038315
5 modules LLC1300	4000	64	<0,5	>0,9	1695	7923	123,8	74037415	74038415

Technical and dimensional data are given for information only and may be modified at any time without notice. Please enquire before ordering.

05/01/2024

Technical data and order codes

FILA 2 100 LED slave version + extinction warning
technical specifications and conditions of use for dali : www.securlite.com (NOT0880)

Designation	CCT (K)	Power (W)	Power in standby (W)	Power factor	L (mm)	Luminaire output (lm)	Luminaire efficacy (lm/W)	304L stainless steel reference	316L stainless steel reference
2 modules LLC1300	3000	27	<0,5	>0,9	690	3156	116,9	74007304	74008304
2 modules LLC1300	4000	27	<0,5	>0,9	690	3290	121,9	74007404	74008404
3 modules LLC1300	3000	37	<0,5	>0,9	970	4512	121,9	74017304	74018304
3 modules LLC1300	4000	37	<0,5	>0,9	970	4702	127,1	74017404	74018404
4 modules LLC1300	3000	50	<0,5	>0,9	1250	6206	124,1	74027304	74028304
4 modules LLC1300	4000	50	<0,5	>0,9	1250	6468	129,4	74027404	74028404
5 modules LLC1300	3000	64	<0,5	>0,9	1530	7602	118,8	74037304	74038304
5 modules LLC1300	4000	64	<0,5	>0,9	1530	7923	123,8	74037404	74038404

FILA 2 100 LED slave version + stand-by warning
technical specifications and conditions of use for dali : www.securlite.com (NOT0880)

Designation	CCT (K)	Power (W)	Power in standby (W)	Power factor	L (mm)	Luminaire output (lm)	Luminaire efficacy (lm/W)	304L stainless steel reference	316L stainless steel reference
2 modules LLC1300	3000	27	<0,5	>0,9	690	3156	116,9	74007305	74008305
2 modules LLC1300	4000	27	<0,5	>0,9	690	3290	121,9	74007405	74008405
3 modules LLC1300	3000	37	<0,5	>0,9	970	4512	121,9	74017305	74018305
3 modules LLC1300	4000	37	<0,5	>0,9	970	4702	127,1	74017405	74018405
4 modules LLC1300	3000	50	<0,5	>0,9	1250	6206	124,1	74027305	74028305
4 modules LLC1300	4000	50	<0,5	>0,9	1250	6468	129,4	74027405	74028405
5 modules LLC1300	3000	64	<0,5	>0,9	1530	7602	118,8	74037305	74038305
5 modules LLC1300	4000	64	<0,5	>0,9	1530	7923	123,8	74037405	74038405

FILA 2 100 LED DALI dimmable + switch dimming
technical specifications and conditions of use for dali : www.securlite.com (NOT0880)

Designation	CCT (K)	Power (W)	Power in standby (W)	Power factor	L (mm)	Luminaire output (lm)	Luminaire efficacy (lm/W)	304L stainless steel reference	316L stainless steel reference
2 modules LLC1300**	3000	27	<0,5	>0,9	690	3156	116,9	74007321	74008321
2 modules LLC1300**	4000	27	<0,5	>0,9	690	3290	121,9	74007421	74008421
3 modules LLC1300**	3000	37	<0,5	>0,9	970	4512	121,9	74017321	74018321
3 modules LLC1300**	4000	37	<0,5	>0,9	970	4702	127,1	74017421	74018421
4 modules LLC1300**	3000	50	<0,5	>0,9	1250	6206	124,1	74027321	74028321
4 modules LLC1300**	4000	50	<0,5	>0,9	1250	6468	129,4	74027421	74028421
5 modules LLC1300**	3000	64	<0,5	>0,9	1530	7602	118,8	74037321	74038321
5 modules LLC1300**	4000	64	<0,5	>0,9	1530	7923	123,8	74037421	74038421

Technical data and order codes

FILA 2 100 LED with Pro detection + radio-control <i>technical specifications and conditions of use for detection : www.securlite.com (NOT0420)</i>									
Designation	CCT (K)	Power (W)	Power in standby (W)	Power factor	L (mm)	Luminaire output (lm)	Luminaire efficacy (lm/W)	304L stainless steel reference	316L stainless steel reference
2 modules LLC1300	3000	27	0,5	>0,9	855	3156	116,9	74007316	74008316
2 modules LLC1300	4000	27	0,5	>0,9	855	3290	121,9	74007416	74008416
3 modules LLC1300	3000	37	0,5	>0,9	1135	4512	121,9	74017316	74018316
3 modules LLC1300	4000	37	0,5	>0,9	1135	4702	127,1	74017416	74018416
4 modules LLC1300	3000	50	0,5	>0,9	1415	6206	124,1	74027316	74028316
4 modules LLC1300	4000	50	0,5	>0,9	1415	6468	129,4	74027416	74028416
5 modules LLC1300	3000	64	0,5	>0,9	1695	7602	118,8	74037316	74038316
5 modules LLC1300	4000	64	0,5	>0,9	1695	7923	123,8	74037416	74038416

Operating instruction : www.securlite.com (NOT0565)