



## TITAN S (S2-S3-S4)

### Features

- Input voltage: 220–240 V AC, 50/60 Hz
- Input voltage range: 198–264 V AC
- Electrical protection class 1
- IP: 65
- IK: 11++ / 120 joules
- Incandescent wire test 850 °C / 30 s
- Rated ambient operating temperature: 25 °C
- Operating temperature range : -20 °C ... +35 °C
- VK66 angle mounted, VK65 surface mounted, VK66 ceiling mounted, VK66 flush mounted
- CRI: 80
- SDCM (Standard Deviation Colour Matching): 3
- Photobiological hazard: RG0
- Energy class C light source
- Lumen maintenance: L80B10 / 72,000 hours
- Number of detector switching cycles: 1,000,000 at maximum load.
- Repairable luminaire. Spare parts available on demand
- 5-year guarantee, details of conditions available on [securlite.com](http://securlite.com)

### Applications

- Technical luminaire in EZ steel version for indoor or outdoor environment
- Stainless version: 316L brushed stainless for severe corrosive environments (seaside), indoor and outdoor
- Stainless version: 304L painted stainless for indoor or outdoor environment
- Conditions of use:
  - Models with detection: suitable for indoor use
  - Installation positions: refer to installation instructions

### Materials

- Base (version Titan S2 & S3): 1 mm thick zinc-plated steel, frame 2 mm thick ZP steel
- Base (stainless version Titan S4): 316L stainless body and frame
- Base (stainless version Titan S4): 304L painted stainless body and frame
- Opal polycarbonate diffuser
- RoHS: the products contain no prohibited substances as defined in the European Directive 2011/65/UE and amendments

### Colours / Finish

- ZP steel: graphite grey RAL7016, abrasion-resistant polyester paint finish, withstands polluting chemical elements
- 316L brushed stainless
- 304L painted stainless: graphite grey RAL7016, abrasion-resistant polyester paint finish, withstands polluting chemical elements

### Wiring

- Supply terminal block: automatic, dual-entry, for 3 × 1.5 mm<sup>2</sup> conductors, 3 poles for standard versions
- 2 side cable entries for M20 cable gland (not supplied)
- Sliding, plug-in gear tray

*Technical and dimensional data are given for information only and may be modified at any time without notice. Please enquire before ordering.*

05/01/2024

## Fixings

- Diffuser: retained by M6 stainless 2-point tamper-proof screws with sealing washers

## Facilities available

- Flat Duroflam® diffuser (IK11+ 80J): add the suffix **9413** to the product code – example: 50xxxxxx **9413**
- Flat diffusing opal PC diffuser (IK11+ 80J): add the suffix **9415** to the product code – example: 50xxxxxx **9415**
- Anti-graffiti protection: add the suffix **9601** to the product code – example: 50xxxxxx **9601**
- Stainless crosspoint screws (VK54): add the suffix **9702** to the product code – example: 50xxxxxx**9702**

## Tools

(to be ordered separately)

- M6 bit for 2-point tamper-proof screws – code: **9800 0004**
- Bit-holder screwdriver – code: **98000 0005**

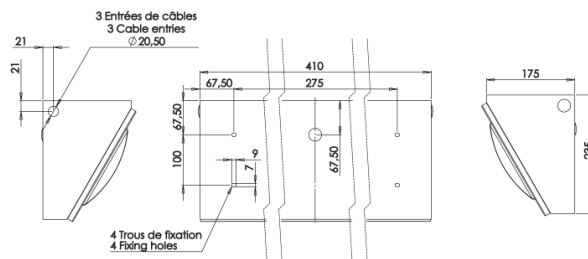
## Approvals

Certificates available:

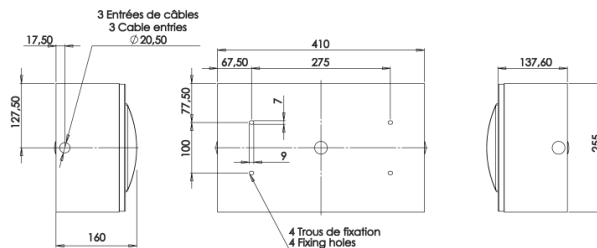
- CE certificate (as per EN60598-1 / 2-1 / 2-2)
- Incandescent Wire Test certificate (depending on product)

## Dimensions

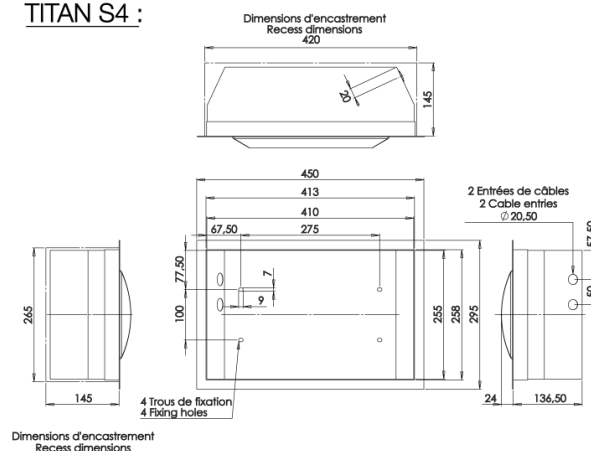
### TITAN S2 :



### TITAN S3 :



### TITAN S4 :



Technical and dimensional data are given for information only and may be modified at any time without notice. Please enquire before ordering.

05/01/2024

## Technical data and order codes

TITAN S2-S3-S4 LED										
Designation	CCT (K)	Power (W)	Power in standby (W)	Luminaire output (lm)	Luminaire efficacy (lm/W)	Length (mm)	Code Titan S2	Code Titan S3	Code Titan S4 316L brushed stainless	Code Titan S4 304L painted stainless
2x900lm	3000K	14	-	1430	102	410	50061300	50261300	50468300	50561300
2x900lm	4000K	14	-	1490	106	410	50061400	50261400	50468400	50561400
2x1300lm	3000K	22	-	2400	109	410	50071300	50271300	50478300	50571300
2x1300lm	4000K	22	-	2500	114	410	50071400	50271400	50478400	50571400
2x2400lm	3000K	34	-	3350	99	410	50051300	50251300	50458300	50551300
2x2400lm	4000K	34	-	3450	101	410	50051400	50251400	50458400	50551400

TITAN S2-S3-S4 LED + PRO detection <i>technical specifications and conditions of use for detection <a href="http://www.securlite.com">www.securlite.com</a> (NOT0410)</i>										
Designation	CCT (K)	Power (W)	Power in standby (W)	Luminaire output (lm)	Luminaire efficacy (lm/W)	Length (mm)	Code Titan S2	Code Titan S3	Code Titan S4 316L brushed stainless	Code Titan S4 304L painted stainless
2x900lm	3000K	15	-	1430	95	410	50061312	50261312	50468312	50561312
2x900lm	4000K	15	-	1490	99	410	50061412	50261412	50468412	50561412
2x1300lm	3000K	23	-	2400	104	410	50071312	50271312	50478312	50571312
2x1300lm	4000K	23	-	2500	107	410	50071412	50271412	50478412	50571412
2x2400lm	3000K	35	-	3350	96	410	50051312	50251312	50458312	50551312
2x2400lm	4000K	35	-	3450	99	410	50051412	50251412	50458412	50551412

Operating instruction : [www.securlite.com](http://www.securlite.com) (NOT0585)