



BORGO

Features

- Input voltage: 220–240 V AC, 50/60 Hz
- Input voltage range: 198–264 V AC
- Electrical protection class 1
- IP: 65
- IK: 11+ / 80 joules
- Incandescent wire test 850 °C / 30 s
- Rated ambient operating temperature: 25 °C
- Operating temperature range : -20 °C ... +35 °C
- VK46 wall-mounted
- CRI: 80
- SDCM (Standard Deviation Colour Matching): 3
- Photobiological hazard: RG0
- Energy class C light source
- Lumen maintenance: L80B10 / over 72,000 hours
- Lumen maintenance: L90B50 / 52,000 hours
- Repairable luminaire. Spare parts available on demand
- 5-year guarantee, details of conditions available on securlite.com

Applications

- Architectural luminaire for indoor or outdoor environments subject to moderate and severe vandalism
- Installation positions: refer to installation instructions

Materials

- Base: 1 mm thick zinc-plated steel, frame 2 mm thick ZP steel
- Diffuser: opal polycarbonate
- RoHS: the products contain no prohibited substances as defined in the European Directive 2011/65/UE and amendments

Colours / Finish

- Standard colour: graphite grey RAL 7016
- Abrasion-resistant polyester paint finish, withstands polluting chemical elements

Wiring

- Supply terminal block: automatic, dual-entry, for 3 × 1.5 mm² conductors
- 1 × 20.5 mm Ø cable entry (rear side)

Technical and dimensional data are given for information only and may be modified at any time without notice. Please enquire before ordering.

05/01/2024

Fixings

- Diffuser: retained by M6 stainless 2-point tamper-proof screws with sealing washers

Facilities available

- Flat Duroflam® diffuser (IK11+ 80J): add the suffix **9413** to the product code – example: 53xxxxxx **9413**
- Flat diffusing opal PC diffuser (IK11+ 80J): add the suffix **9415** to the product code – example: 53xxxxxx **9415**
- Anti-graffiti protection: add the suffix **9601** to the product code – example: 53xxxxxx **9601**
- Stainless crosspoint screws: add the suffix **9702** to the product code – example: 53xxxxxx **9702**

Tools

(to be ordered separately)

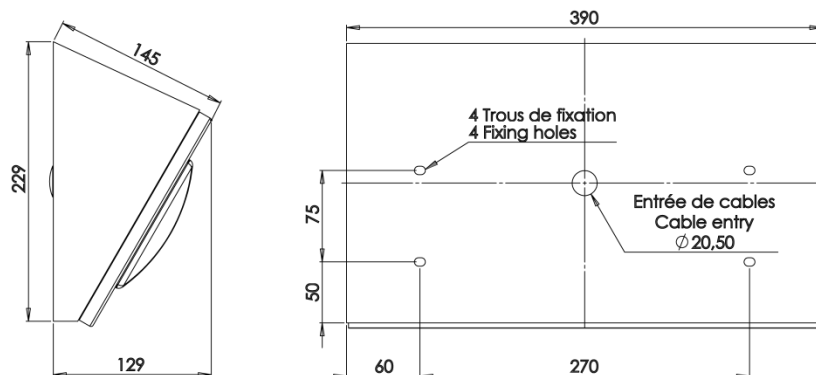
- M6 bit for 2-point tamper-proof screws – code: **98000004**
- Bit-holder screwdriver – code: **980000005**

Approvals

Certificates available:

- CE certificate (as per EN60598-1 / 2-1)
- Incandescent Wire Test certificate (depending on product)

Dimensions



Technical data and order codes

BORG0 LED						
Designation	CCT (K)	Power (W)	Luminaire output (lm)	Luminaire efficacy (lm/W)	Length L (mm)	Code
1 module	3000K	7,8	700	90	390	53041300
1 module	4000K	7,8	725	93	390	53041400
2 modules	3000K	17	1650	97	390	53051300
2 modules	4000K	17	1700	100	390	53051400

Operating instruction : www.securlite.com (NOT0595)

Technical and dimensional data are given for information only and may be modified at any time without notice. Please enquire before ordering.

05/01/2024