

FILA



Clean lines

The Fila is a sleek architectural luminaire, designed for lighting public spaces and enhancing buildings.

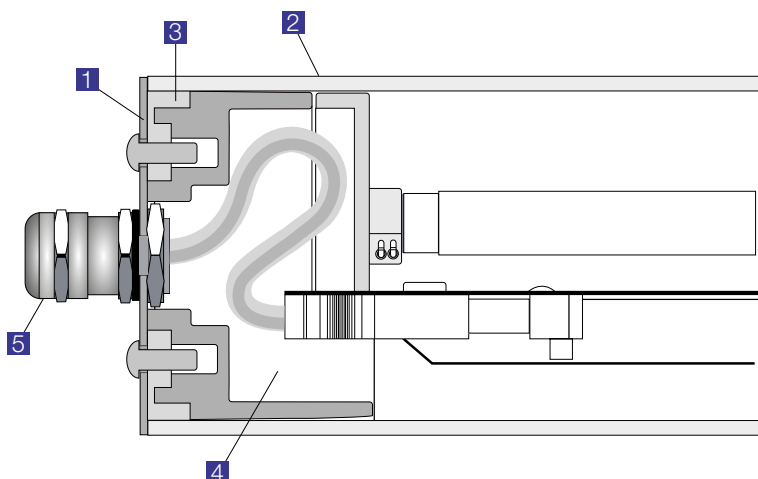
Very sturdy thanks to its IK10⁺⁺ / 80 joules diffuser, very elegant thanks to its polished stainless steel end caps and white polycarbonate internal trim, the Fila is a luminaire designed for both dimmable fluorescent and the new LED sources.



BVCert. 6037554



- 1 Polished stainless steel end caps for greater strength
- 2 Clear or opal polycarbonate diffuser up to 4 mm thick
- 3 Moulded silicone seal to IP67
- 4 Decorative polyamide trim to hide internal connections
- 5 M20 nickel-plated brass cable gland



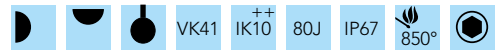
FILA & OPTICS



A sleek architectural luminaire,
designed for lighting public spaces and
enhancing buildings.



Features:



- Sealed vandal-resistant tubular light fitting
- Two diameters: 70 mm and 100 mm
- Clear or opal diffuser
- Polycarbonate body, thickness 4 mm (70 ø) or 3 mm (100 ø)
- CCT 4000 K, CRI min. 80
- Decorative internal polyamide trims
- Polished 304L stainless steel end caps
- Closure by 2 stainless steel CHC screws at each end
- Plug-in terminal block
- ISO M20 nickel-plated brass IP67 cable gland at one end

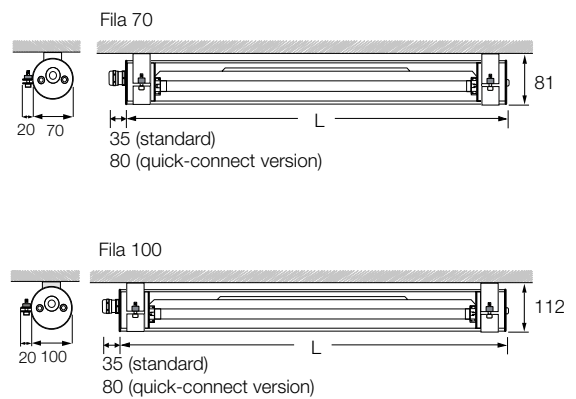
Options available on request:

- 40°, 60°, 90° LED optics, batwing and wallwasher
- Version with louvres
- Class 2
- 316L stainless steel version for corrosive environment
- 3000 K LEDs
- Version with emergency pack
- Detector cover (fluorescent version)

Fila accessories must be ordered separately (see page 104).



Radio remote control to be ordered separately
code: 9800 0010



FILA 70 LED

idirect 755

220-240 V AC / 50/60 Hz   RoHS

Length L (mm)	Length with detection L (mm)	Power (W)	Luminaire light output (lm)	Luminaire efficacy (lm/W)	Opal
690	855	19	2170	114	7540 74 ..
970	1135	26	3110	120	7541 74 ..
1250	1415	36	4340	121	7542 74 ..
1530	1695	41	4990	122	7543 74 ..

Lifetime: L90B50 / 50,000 h

Coding:

replace the two dashes (--) by the corresponding figures: e.g. **7540 74 ..**

- 00** no detection
- 21** DALI dimmable + switch dimming + standby warning
- 12** with Pro detection
- 14** with Pro detection + extinction warning
- 15** with Pro detection + standby warning
- 16** with Pro detection + radio-control
- 04** slave version + extinction warning
- 05** slave version + standby warning

FILA 100 LED

idirect 768

220-240 V AC / 50/60 Hz   RoHS

Length L (mm)	Length with detection L (mm)	Power (W)	Luminaire light output (lm)	Luminaire efficacy (lm/W)	Opal
690	855	21	2540	121	7640 74 ..
970	1135	31	3810	123	7641 74 ..
1250	1415	42	5080	121	7642 74 ..
1530	1695	51	6210	122	7643 74 ..

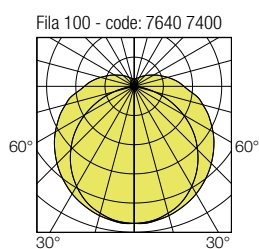
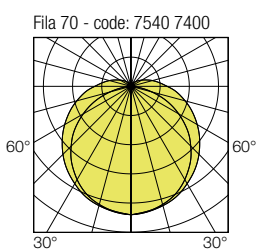
Lifetime: L90B50 / 50,000 h

Coding:

replace the two dashes (--) by the corresponding figures: e.g. **7640 74 ..**

- 00** no detection
- 21** DALI dimmable + switch dimming + standby warning
- 12** with Pro detection
- 14** with Pro detection + extinction warning
- 15** with Pro detection + standby warning
- 16** with Pro detection + radio-control
- 04** slave version + extinction warning
- 05** slave version + standby warning

Fixing brackets to be ordered separately (see page 104).



FILA 70 FLUO

 **direct 750**

220-240 V AC / 50/60 Hz   RoHS

Length L (mm)	Length with detection L (mm)	Power	Base	1 lamp Clear Diffuser
670	820	14 W T5	G5	7503 70 ..
		24 W T5	G5	7505 70 ..
970	1120	21 W T5	G5	7504 70 ..
		39 W T5	G5	7508 70 ..
1270	1420	28 W T5	G5	7506 70 ..
		54 W T5	G5	7510 70 ..
1570	1720	35 W T5	G5	7507 70 ..
		49 W T5	G5	7509 70 ..
		80 W T5	G5	7511 70 ..

Lamps not supplied

Other fluorescent versions: please contact us.

Coding:

replace the two dashes (--) by the corresponding figures: e.g. **7503 70 ..**

- 00** no detection
- 21** DALI dimmable + switch dimming + standby warning
- 12** with Pro detection
- 14** with Pro detection + extinction warning
- 15** with Pro detection + standby warning
- 04** slave version + extinction warning
- 05** slave version + standby warning

FILA 100 FLUO

 **direct 760**

220-240 V AC / 50/60 Hz   RoHS

Length L (mm)	Length with detection L (mm)	Power	Base	1 lamp Clear Diffuser	2 lamps Clear Diffuser
670	820	14 W T5	G5	7606 70 ..	7607 70 ..
		24 W T5	G5	7610 70 ..	7611 70 ..
970	1120	21 W T5	G5	7608 70 ..	7609 70 ..
		39 W T5	G5	7616 70 ..	7617 70 ..
1270	1420	28 W T5	G5	7612 70 ..	7613 70 ..
		54 W T5	G5	7620 70 ..	7621 70 ..
1570	1720	35 W T5	G5	7614 70 ..	7615 70 ..
		49 W T5	G5	7618 70 ..	7619 70 ..
		80 W T5	G5	7622 70 ..	N.D.

Lamps not supplied

Other fluorescent versions: please contact us.

Coding:

replace the two dashes (--) by the corresponding figures: e.g. **7606 70 ..**

- 00** no detection
- 21** DALI dimmable + switch dimming + standby warning
- 12** with Pro detection
- 14** with Pro detection + extinction warning
- 15** with Pro detection + standby warning
- 04** slave version + extinction warning
- 05** slave version + standby warning

Fixing brackets to be ordered separately (see page 104).

Additional options Fila

Quick connect version with male/female Wieland connector (replaces cable gland; external cable not supplied).
In the fluorescent quick connect version, the lamps are supplied.

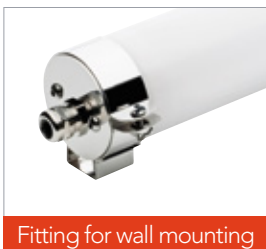


Coding:

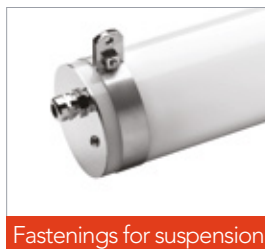
add the corresponding suffix to the product code: e.g. 7540 7400 ----

- 9101 through wiring
- 9102 quick connect
- 9103 quick connect+ through wiring
- 9406 opal PC diffuser (for fluorescent version)
- 9701 stainless steel tamper-resistant screws Fila (VK42), Fila² (VK22)
- 9801 in-line assembly

Fila accessories



Fitting for wall mounting



Fastenings for suspension



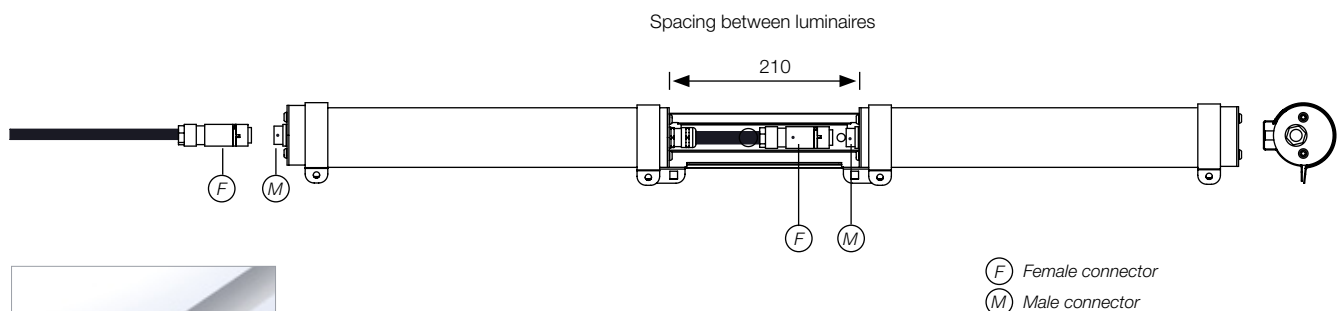
Clasp mountings

Designation	FILA 70	FILA 100	FILA ² 70 LED	FILA ² 100 LED
Kit of 304L stainless steel fittings for wall mounting, standard screw fixing	9873 7001	9874 7001	9873 7001	9874 7001
Kit of 304L stainless steel fittings for wall mounting, clasp fixing	9875 7002	9876 7002	9873 7002	9874 7002
Kit of 304L stainless steel fittings for suspension, standard screw fixing	9875 7003	9876 7003	9873 7003	9874 7003
Kit of 316L stainless steel fittings for wall mounting, standard screw fixing	9873 8001	9874 8001	9873 8001	9874 8001
Kit of 316L stainless steel fittings for suspension, standard screw fixing	9875 8003	9876 8003	9873 8003	9874 8003

The stainless steel fittings must be ordered separately.

One kit contains two fittings.

Optional stainless steel vandal-resistant screws: add suffix 9701 to the product code: e.g. 9873 7001 9701



In-line joiner

Designation	FILA ² 70 LED	FILA ² 100 LED
304L stainless steel joiner	9873 7004	9874 7004
316L stainless steel joiner	9873 8004	9874 8004

The stainless steel joiners must be ordered separately.

For use only in association with additional option code 9801 (in-line fitting): e.g. 7540 7400 9801

Optional stainless steel vandal-resistant screws: add suffix 9701 to the product code: e.g. 9873 7004 9701