



Features

- Input voltage: 220–240 V AC, 50/60 Hz
- Input voltage range: 198–264 V AC
- Electrical protection class 1
- IP: 66
- IK: 11+ / 80 joules
- Incandescent wire test 850° / 30 s
- Rated ambient operating temperature: 25 °C to NF EN 60598-1 standard
- Anti-rip-out skirt, 4 internal fixing points
- VK45 surface mounted, VK46 ceiling mounted, VK46 flush mounted
- CRI: 80
- SDCM (Standard Deviation Colour Matching): 3
- Photobiological hazard: RG0
- Lumen maintenance: L80B10 / 72,000 hours

Applications

- Decorative luminaire for indoor, outdoor, subject to moderate and severe vandalism
- Conditions of use:
 - Version with detection: not recommended for outdoor use
 - Installation positions: refer to installation instructions

Materials

- Marine-grade die-cast aluminium base
- Diffuser: opal polycarbonate
- Flush-mounting surround (option): steel treated by electrophoresis, paint finish to match base
- RoHS: the products contain no prohibited substances as defined in the European Directive 2011/65/CE and amendments

Colours / Finish

- Colour: matt black RAL 9005, grey aluminium RAL 9006, matt white RAL 9016
- Abrasion-resistant polyester paint finish, withstands chemical elements and pollutants

Wiring

- Supply terminal block: automatic, dual-entry, for 1.5 mm² conductors
- 2 × 20.5 mm Ø cable entry cable entry for cable gland

Fixings

- Diffuser: retained by 3 × M5 stainless 2-point tamper-proof screws with sealing washers
- Captive diffuser screws

Technical and dimensional data are given for information only and may be modified at any time without notice. Please enquire before ordering.

1

31/03/2022

Facilities available

- Stainless crosspoint screws: add the suffix **9702** to the product code – example: 25xxxxxx **9702**
- Flush-mounting version: add the suffix **9802** to the product code – example: 25xxxxxx **9802**

Accessories

(the accessories kits must be ordered separately)

IZU:

- IZU grille kit – black RAL 9005 – code **98250010**
- IZU grille kit – grey RAL 9006 – code **98250011**
- IZU grille kit – white RAL 9016 – code **98250012**

IZUMI:

- IZUMI grille kit – black RAL 9005 – code **98250013**
- IZUMI grille kit – grey RAL 9006 – code **98250014**
- IZUMI grille kit – white RAL 9016 – code **98250015**

SANTA:

- SANTA grille kit – black RAL 9005 – code **98250016**
- SANTA grille kit – grey RAL 9006 – code **98250017**
- SANTA grille kit – white RAL 9016 – code **98250018**

BUDA:

- BUDA grille kit – black RAL 9005 – code **98250019**
- BUDA grille kit – grey RAL 9006 – code **98250020**
- BUDA grille kit – black RAL 9016 – code **98250021**

Tools

(to be ordered separately)

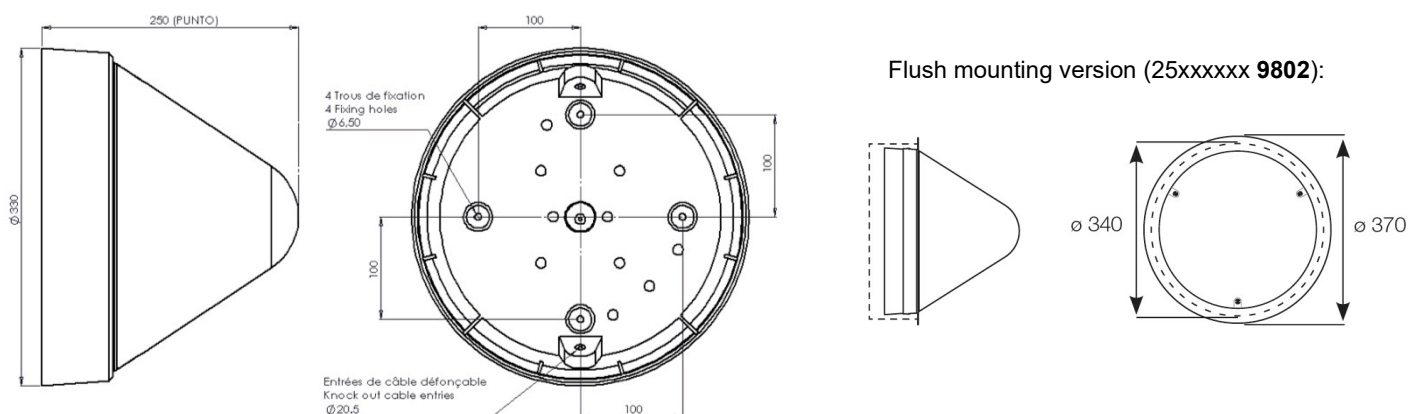
- M5 bit for 2-point tamper-proof screws – code: **98000003**
- M5 bit-holder screwdriver – code: **98000005**

Approvals

Certificates available:

- CE certificate (as per EN60598-1 / 2-1 / 2-2)
- Incandescent Wire Test certificate (depending on product)

Dimensions



Technical and dimensional data are given for information only and may be modified at any time without notice. Please enquire before ordering.

PUNTO LED									
Designation	CCT (K)	Power (W)	Power in stand-by (W)	Luminaire output (lm)	Luminaire efficacy (lm/W)	White	Grey	Black	Weight (kg)
Punto 2400	3000	17	-	1950	115	25510300	25511300	25512300	3,8
Punto 2400	4000	17	-	2050	121	25510400	25511400	25512400	3,8
Punto 3200	3000	19	-	2350	124	25500300	25501300	25502300	3,8
Punto 3200	4000	19	-	2450	129	25500400	25501400	25502400	3,8

PUNTO LED with Pro detection <i>technical specifications and conditions of use for detection: www.securlite.com (NOT0410)</i>									
Designation	CCT (K)	Power (W)	Power in stand-by (W)	Luminaire output (lm)	Luminaire efficacy (lm/W)	White	Grey	Black	Weight (kg)
Punto 2400	3000	18	<0,5	1950	108	25510312	25511312	25512312	4
Punto 2400	4000	18	<0,5	2050	114	25510412	25511412	25512412	4
Punto 3200	3000	20	<0,5	2350	118	25500312	25501312	25502312	4
Punto 3200	4000	20	<0,5	2450	123	25500412	25501412	25502412	4

PUNTO LED with Pro detection + Extinction or standby warning <i>technical specifications and conditions of use for detection: www.securlite.com (NOT0425)</i>									
Designation	CCT (K)	Power (W)	Power in stand-by (W)	Luminaire output (lm)	Luminaire efficacy (lm/W)	White	Grey	Black	Weight (kg)
Punto 2400	3000	18	<0,5	1950	108	25510313	25511313	25512313	4
Punto 2400	4000	18	<0,5	2050	114	25510413	25511413	25512413	4
Punto 3200	3000	20	<0,5	2350	118	25500313	25501313	25502313	4
Punto 3200	4000	20	<0,5	2450	123	25500413	25501413	25502413	4

PUNTO LED slave version + extinction or stand-by warning <i>technical specifications and conditions of use for detection: www.securlite.com (NOT0435)</i>									
Designation	CCT (K)	Power (W)	Power in stand-by (W)	Luminaire output (lm)	Luminaire efficacy (lm/W)	White	Grey	Black	Weight (kg)
Punto 2400	3000	18	<0,5	1950	108	25510303	25511303	25512303	4
Punto 2400	4000	18	<0,5	2050	114	25510403	25511403	25512403	4
Punto 3200	3000	20	<0,5	2350	118	25500303	25501303	25502303	4
Punto 3200	4000	20	<0,5	2450	123	25500403	25501403	25502403	4

PUNTO LED with Pro detection + radio-control <i>technical specifications and conditions of use for detection: www.securlite.com (NOT0420)</i>									
Designation	CCT (K)	Power (W)	Power in stand-by (W)	Luminaire output (lm)	Luminaire efficacy (lm/W)	White	Grey	Black	Weight (kg)
Punto 2400	3000	18	<0,5	1950	108	25510316	25511316	25512316	4
Punto 2400	4000	18	<0,5	2050	114	25510416	25511416	25512416	4
Punto 3200	3000	20	<0,5	2350	118	25500316	25501316	25502316	4
Punto 3200	4000	20	<0,5	2450	123	25500416	25501416	25502416	4

PUNTO LED with Pro detection + extinction or standby warning + radio-control <i>technical specifications and conditions of use for detection: www.securlite.com (NOT0430)</i>									
Designation	CCT (K)	Power (W)	Power in stand-by (W)	Luminaire output (lm)	Luminaire efficacy (lm/W)	White	Grey	Black	Weight (kg)
Punto 2400	3000	18	0,5	1950	108	25510317	25511317	25512317	4
Punto 2400	4000	18	0,5	2050	114	25510417	25511417	25512417	4
Punto 3200	3000	20	0,5	2350	118	25500317	25501317	25502317	4
Punto 3200	4000	20	0,5	2450	123	25500417	25501417	25502417	4

PUNTO LED slave version + extinction or stand-by warning + radio-control <i>technical specifications and conditions of use for detection: www.securlite.com (NOT0440)</i>									
Designation	CCT (K)	Power (W)	Power in stand-by (W)	Luminaire output (lm)	Luminaire efficacy (lm/W)	White	Grey	Black	Weight (kg)
Punto 2400	3000	18	<0,5	1950	108	25510307	25511307	25512307	4
Punto 2400	4000	18	<0,5	2050	114	25510407	25511407	25512407	4
Punto 3200	3000	20	<0,5	2350	118	25500307	25501307	25502307	4
Punto 3200	4000	20	<0,5	2450	123	25500407	25501407	25502407	4

PUNTO LED DALI dimmable									
Designation	CCT (K)	Power (W)	Power in stand-by (W)	Luminaire output (lm)	Luminaire efficacy (lm/W)	White	Grey	Black	Weight (kg)
Punto 2400	3000	18	<0,5	1950	108	25510320	25511320	25512320	4
Punto 2400	4000	18	<0,5	2050	114	25510420	25511420	25512420	4
Punto 3200	3000	20	<0,5	2350	118	25500320	25501320	25502320	4
Punto 3200	4000	20	<0,5	2450	123	25500420	25501420	25502420	4