



TITAN (C95 – A45 – A30)

Features

- Input voltage: 220–240 V AC, 50/60 Hz
- Input voltage range: 198–264 V AC
- Electrical protection class 1
- IP: 65
- IK: 11++ / 120 joules
- Incandescent wire test 850 °C / 30 s
- Rated ambient operating temperature: 25 °C
- Operating temperature range : -20 °C ... +35 °C
- VK56 angle mounted, VK55 surface mounted, VK56 flush mounted
- CRI: 80
- SDCM (Standard Deviation Colour Matching): 3
- Photobiological hazard: RG0
- Energy class C light source
- Lumen maintenance: L80B10 / over 72,000 hr
- Lumen maintenance: L90B50 / 52,000 hr
- Number of detector switching cycles: 1,000,000 at maximum load.
- Repairable luminaire. Spare parts available on demand
- 5-year guarantee, details of conditions available on securlite.com

Applications

- Decorative luminaire for indoor or outdoor environments subject to moderate and severe vandalism
- Conditions of use:
 - Models with detection: suitable for indoor use
 - Installation positions: refer to installation instructions

Materials

- Base: 1 mm thick zinc-plated steel, frame 2 mm thick ZP steel
- Diffuser: opal polycarbonate
- RoHS: the products contain no prohibited substances as defined in the European Directive 2011/65/UE and amendments

Colours / Finish

- Standard colour: graphite grey RAL7016SG
- Abrasion-resistant polyester paint finish, withstands polluting chemical elements

Wiring

- Sliding, plug-in gear tray
- Supply terminal block: automatic, dual-entry, for 3 × 1.5 mm² conductors

Technical and dimensional data are given for information only and may be modified at any time without notice. Please enquire before ordering.

05/01/2024

- 2 cable entries for M20 cable gland on side panels

Fixings

- Diffuser: retained by M6 stainless 2-point tamper-proof screws with sealing washers

Facilities available

- Through wiring: add the suffix **9101** to the product code – example: 6xxxxxxx **9101**
- Flat Duroflam® diffuser (IK11+ 80J): add the suffix **9413** to the product code – example: 6xxxxxxx **9413**
- Flat PC diffuser (IK11+ 80J): add the suffix **9415** to the product code – example: 6xxxxxxx **9415**
- Anti-graffiti protection: add the suffix **9601** to the product code – example: 6xxxxxxx **9601**
- Stainless crosspoint screws (VK54): add the suffix **9702** to the product code – example: 6xxxxxxx **9702**
- Painted 304L stainless steel version for outdoor installation: add the suffix **7000** to the product code – example: 6xxxxxxx **7000**

Tools

(to be ordered separately)

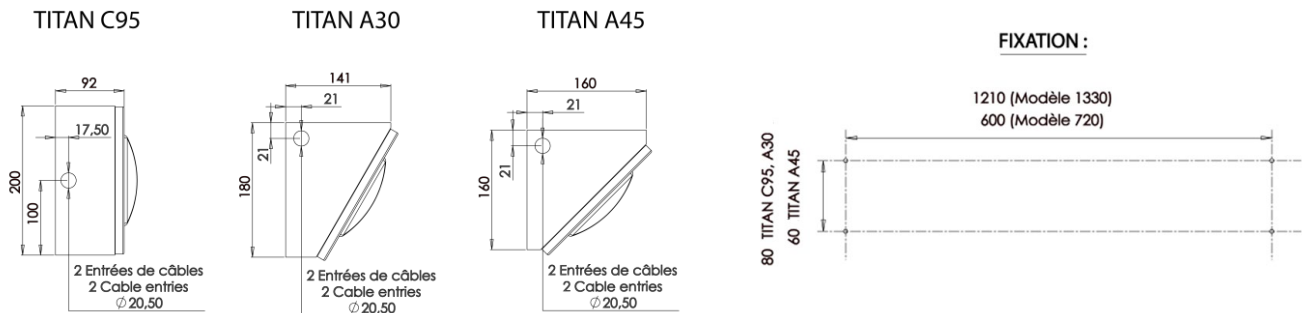
- M6 bit for 2-point tamper-proof screws – code: **98000004**
- Remote control (radio-control version) – code: **98000010**
- Bit-holder screwdriver – code: **98000005**

Approvals

Certificates available:

- CE certificate (as per EN60598-1 / 2-1)
- Incandescent Wire Test certificate (depending on product)

Dimensions



Technical and dimensional data are given for information only and may be modified at any time without notice. Please enquire before ordering.

05/01/2024

Technical data and order codes

TITAN LED										
Designation	CCT (K)	Power (W)	Power in standby (W)	Power factor	Length (mm)	Luminaire output (lm)	Luminaire efficacy (lm/W)	code TITAN C95	Code TITAN A45	Code TITAN A30
2 modules LED LLC900	3000	12	-	>0,9	720	1000	83,3	62701300	60701300	61701300
2 modules LED LLC900	4000	12	-	>0,9	720	1050	87,5	62701400	60701400	61701400
2 modules LED LLC1300	3000	21	-	>0,9	720	1930	91,9	62711300	60711300	61711300
2 modules LED LLC1300	4000	21	-	>0,9	720	2010	95,7	62711400	60711400	61711400
4 modules LED LLC900	3000	17	-	>0,9	720	1750	104,1	62721300	60721300	61721300
4 modules LED LLC900	4000	17	-	>0,9	720	1820	108,8	62721400	60721400	61721400
4 modules LED LLC1300	3000	43	-	>0,9	720	3910	90,9	62731300	60731300	61731300
4 modules LED LLC1300	4000	43	-	>0,9	720	4080	94,9	62731400	60731400	61731400
4 modules LED LLC900	3000	17	-	>0,9	1330	1770	102,9	62741300	60741300	61741300
4 modules LED LLC900	4000	17	-	>0,9	1330	1850	107,1	62741400	60741400	61741400
4 modules LED LLC1300	3000	43	-	>0,9	1330	3870	90	62751300	60751300	61751300
4 modules LED LLC1300	4000	43	-	>0,9	1330	4030	93,7	62751400	60751400	61751400
8 modules LED LLC900	3000	41	-	>0,9	1330	4080	99,5	62761300	60761300	61761300
8 modules LED LLC900	4000	41	-	>0,9	1330	4250	103,7	62761400	60761400	61761400
8 modules LED LLC1300	3000	70	-	>0,9	1330	6650	95	62771300	60771300	61771300
8 modules LED LLC1300	4000	70	-	>0,9	1330	6930	99	62771400	60771400	61771400

TITAN LED + Pro detection technical specifications and conditions of use for detection : www.securlite.com (NOT0410)										
Designation	CCT (K)	Power (W)	Power in standby (W)	Power factor	Length (mm)	Luminaire output (lm)	Luminaire efficacy (lm/W)	code TITAN C95	Code TITAN A45	Code TITAN A30
2 modules LED LLC900	3000	13	<0,5	>0,9	720	1000	76,9	62701312	60701312	61701312
2 modules LED LLC900	4000	13	<0,5	>0,9	720	1050	80,8	62701412	60701412	61701412
2 modules LED LLC1300	3000	22	<0,5	>0,9	720	1930	87,7	62711312	60711312	61711312
2 modules LED LLC1300	4000	22	<0,5	>0,9	720	2010	91,4	62711412	60711412	61711412
4 modules LED LLC900	3000	18	<0,5	>0,9	720	1750	98,3	62721312	60721312	61721312
4 modules LED LLC900	4000	18	<0,5	>0,9	720	1820	102,8	62721412	60721412	61721412
4 modules LED LLC1300	3000	44	<0,5	>0,9	720	3910	88,9	62731312	60731312	61731312
4 modules LED LLC1300	4000	44	<0,5	>0,9	720	4080	92,7	62731412	60731412	61731412
4 modules LED LLC900	3000	18	<0,5	>0,9	1330	1770	97,2	62741312	60741312	61741312
4 modules LED LLC900	4000	18	<0,5	>0,9	1330	1850	101,1	62741412	60741412	61741412
4 modules LED LLC1300	3000	44	<0,5	>0,9	1330	3870	87,9	62751312	60751312	61751312
4 modules LED LLC1300	4000	44	<0,5	>0,9	1330	4030	91,6	62751412	60751412	61751412
8 modules LED LLC900	3000	42	<0,5	>0,9	1330	4080	97,1	62761312	60761312	61761312
8 modules LED LLC900	4000	42	<0,5	>0,9	1330	4250	101,2	62761412	60761412	61761412
8 modules LED LLC1300	3000	71	<0,5	>0,9	1330	6650	93,7	62771312	60771312	61771312
8 modules LED LLC1300	4000	71	<0,5	>0,9	1330	6930	97,6	62771412	60771412	61771412

TITAN LED with Pro detection + extinction warning technical specifications and conditions of use for detection : www.securlite.com (NOT0410)										
Designation	CCT (K)	Power (W)	Power in standby (W)	Power factor	Length (mm)	Luminaire output (lm)	Luminaire efficacy (lm/W)	code TITAN C95	Code TITAN A45	Code TITAN A30
2 modules LED LLC900	3000	13	<0,5	>0,9	720	1000	76,9	62701314	60701314	61701314
2 modules LED LLC900	4000	13	<0,5	>0,9	720	1050	80,8	62701414	60701414	61701414
2 modules LED LLC1300	3000	22	<0,5	>0,9	720	1930	87,7	62711314	60711314	61711314
2 modules LED LLC1300	4000	22	<0,5	>0,9	720	2010	91,4	62711414	60711414	61711414
4 modules LED LLC900	3000	18	<0,5	>0,9	720	1750	98,3	62721314	60721314	61721314
4 modules LED LLC900	4000	18	<0,5	>0,9	720	1820	102,8	62721414	60721414	61721414
4 modules LED LLC1300	3000	44	<0,5	>0,9	720	3910	88,9	62731314	60731314	61731314
4 modules LED LLC1300	4000	44	<0,5	>0,9	720	4080	92,7	62731414	60731414	61731414
4 modules LED LLC900	3000	18	<0,5	>0,9	1330	1770	97,2	62741314	60741314	61741314
4 modules LED LLC900	4000	18	<0,5	>0,9	1330	1850	101,1	62741414	60741414	61741414
4 modules LED LLC1300	3000	44	<0,5	>0,9	1330	3870	87,9	62751314	60751314	61751314
4 modules LED LLC1300	4000	44	<0,5	>0,9	1330	4030	91,6	62751414	60751414	61751414
8 modules LED LLC900	3000	42	<0,5	>0,9	1330	4080	97,1	62761314	60761314	61761314
8 modules LED LLC900	4000	42	<0,5	>0,9	1330	4250	101,2	62761414	60761414	61761414
8 modules LED LLC1300	3000	71	<0,5	>0,9	1330	6650	93,7	62771314	60771314	61771314
8 modules LED LLC1300	4000	71	<0,5	>0,9	1330	6930	97,6	62771414	60771414	61771414

Technical and dimensional data are given for information only and may be modified at any time without notice. Please enquire before ordering.

05/01/2024

Technical data and order codes

TITAN LED with Pro detection + standby warning										
technical specifications and conditions of use for detection : www.securlite.com (NOT0410)										
Designation	CCT (K)	Power (W)	Power in standby (W)	Power factor	Length (mm)	Luminaire output (lm)	Luminaire efficacy (lm/W)	code TITAN C95	Code TITAN A45	Code TITAN A30
2 modules LED LLC900	3000	13	<0,5	>0,9	720	1000	76,9	62701315	60701315	61701315
2 modules LED LLC900	4000	13	<0,5	>0,9	720	1050	80,8	62701415	60701415	61701415
2 modules LED LLC1300	3000	22	<0,5	>0,9	720	1930	87,7	62711315	60711315	61711315
2 modules LED LLC1300	4000	22	<0,5	>0,9	720	2010	91,4	62711415	60711415	61711415
4 modules LED LLC900	3000	18	<0,5	>0,9	720	1750	98,3	62721315	60721315	61721315
4 modules LED LLC900	4000	18	<0,5	>0,9	720	1820	102,8	62721415	60721415	61721415
4 modules LED LLC1300	3000	44	<0,5	>0,9	720	3910	88,9	62731315	60731315	61731315
4 modules LED LLC1300	4000	44	<0,5	>0,9	720	4080	92,7	62731415	60731415	61731415
4 modules LED LLC900	3000	18	<0,5	>0,9	1330	1770	97,2	62741315	60741315	61741315
4 modules LED LLC900	4000	18	<0,5	>0,9	1330	1850	101,1	62741514	60741514	61741514
4 modules LED LLC1300	3000	44	<0,5	>0,9	1330	3870	87,9	62751315	60751315	61751315
4 modules LED LLC1300	4000	44	<0,5	>0,9	1330	4030	91,6	62751415	60751415	61751415
8 modules LED LLC900	3000	42	<0,5	>0,9	1330	4080	97,1	62761315	60761315	61761315
8 modules LED LLC900	4000	42	<0,5	>0,9	1330	4250	101,2	62761415	60761415	61761415
8 modules LED LLC1300	3000	71	<0,5	>0,9	1330	6650	93,7	62771315	60771315	61771315
8 modules LED LLC1300	4000	71	<0,5	>0,9	1330	6930	97,6	62771415	60771415	61771415

TITAN LED + slave version + extinction warning										
technical specifications and conditions of use for dali : www.securlite.com (NOT0880)										
Designation	CCT (K)	Power (W)	Power in standby (W)	Power factor	Length (mm)	Luminaire output (lm)	Luminaire efficacy (lm/W)	code TITAN C95	Code TITAN A45	Code TITAN A30
2 modules LED LLC900	3000	13	<0,5	>0,9	720	1000	76,9	62701304	60701304	61701304
2 modules LED LLC900	4000	13	<0,5	>0,9	720	1050	80,8	62701404	60701404	61701404
2 modules LED LLC1300	3000	22	<0,5	>0,9	720	1930	87,7	62711304	60711304	61711304
2 modules LED LLC1300	4000	22	<0,5	>0,9	720	2010	91,4	62711404	60711404	61711404
4 modules LED LLC900	3000	18	<0,5	>0,9	720	1750	98,3	62721304	60721304	61721304
4 modules LED LLC900	4000	18	<0,5	>0,9	720	1820	102,8	62721404	60721404	61721404
4 modules LED LLC1300	3000	44	<0,5	>0,9	720	3910	88,9	62731304	60731304	61731304
4 modules LED LLC1300	4000	44	<0,5	>0,9	720	4080	92,7	62731404	60731404	61731404
4 modules LED LLC900	3000	18	<0,5	>0,9	1330	1770	97,2	62741304	60741304	61741304
4 modules LED LLC900	4000	18	<0,5	>0,9	1330	1850	101,1	62740414	60740414	61740414
4 modules LED LLC1300	3000	44	<0,5	>0,9	1330	3870	87,9	62751304	60751304	61751304
4 modules LED LLC1300	4000	44	<0,5	>0,9	1330	4030	91,6	62751404	60751404	61751404
8 modules LED LLC900	3000	42	<0,5	>0,9	1330	4080	97,1	62761304	60761304	61761304
8 modules LED LLC900	4000	42	<0,5	>0,9	1330	4250	101,2	62761404	60761404	61761404
8 modules LED LLC1300	3000	71	<0,5	>0,9	1330	6650	93,7	62771304	60771304	61771304
8 modules LED LLC1300	4000	71	<0,5	>0,9	1330	6930	97,6	62771404	60771404	61771404

TITAN LED + slave version + stand-by warning										
technical specifications and conditions of use for dali : www.securlite.com (NOT0880)										
Designation	CCT (K)	Power (W)	Power in standby (W)	Power factor	Length (mm)	Luminaire output (lm)	Luminaire efficacy (lm/W)	Code TITAN C95	Code TITAN A45	Code TITAN A30
2 modules LED LLC900	3000	13	<0,5	>0,9	720	1000	76,9	62701305	60701305	61701305
2 modules LED LLC900	4000	13	<0,5	>0,9	720	1050	80,8	62701405	60701405	61701405
2 modules LED LLC1300	3000	22	<0,5	>0,9	720	1930	87,7	62711305	60711305	61711305
2 modules LED LLC1300	4000	22	<0,5	>0,9	720	2010	91,4	62711405	60711405	61711405
4 modules LED LLC900	3000	18	<0,5	>0,9	720	1750	98,3	62721305	60721305	61721305
4 modules LED LLC900	4000	18	<0,5	>0,9	720	1820	102,8	62721405	60721405	61721405
4 modules LED LLC1300	3000	44	<0,5	>0,9	720	3910	88,9	62731305	60731305	61731305
4 modules LED LLC1300	4000	44	<0,5	>0,9	720	4080	92,7	62731405	60731405	61731405
4 modules LED LLC900	3000	18	<0,5	>0,9	1330	1770	97,2	62741305	60741305	61741305
4 modules LED LLC900	4000	18	<0,5	>0,9	1330	1850	101,1	62740514	60740514	61740514
4 modules LED LLC1300	3000	44	<0,5	>0,9	1330	3870	87,9	62751305	60751305	61751305
4 modules LED LLC1300	4000	44	<0,5	>0,9	1330	4030	91,6	62751405	60751405	61751405
8 modules LED LLC900	3000	42	<0,5	>0,9	1330	4080	97,1	62761305	60761305	61761305
8 modules LED LLC900	4000	42	<0,5	>0,9	1330	4250	101,2	62761405	60761405	61761405
8 modules LED LLC1300	3000	71	<0,5	>0,9	1330	6650	93,7	62771305	60771305	61771305
8 modules LED LLC1300	4000	71	<0,5	>0,9	1330	6930	97,6	62771405	60771405	61771405

Technical and dimensional data are given for information only and may be modified at any time without notice. Please enquire before ordering.

05/01/2024

Technical data and order codes

TITAN LED with Pro detection + radio-control										
technical specifications and conditions of use for detection : www.securlite.com (NOT0420)										
Designation	CCT (K)	Power (W)	Power in standby (W)	Power factor	Length (mm)	Luminaire output (lm)	Luminaire efficacy (lm/W)	Code TITAN C95	Code TITAN A45	Code TITAN A30
2 modules LED LLC900	3000	13	0,5	>0,9	720	1000	76,9	62701316	60701316	61701316
2 modules LED LLC900	4000	13	0,5	>0,9	720	1050	80,8	62701416	60701416	61701416
2 modules LED LLC1300	3000	22	0,5	>0,9	720	1930	87,7	62711316	60711316	61711316
2 modules LED LLC1300	4000	22	0,5	>0,9	720	2010	91,4	62711416	60711416	61711416
4 modules LED LLC900	3000	18	0,5	>0,9	720	1750	98,3	62721316	60721316	61721316
4 modules LED LLC900	4000	18	0,5	>0,9	720	1820	102,8	62721416	60721416	61721416
4 modules LED LLC1300	3000	44	0,5	>0,9	720	3910	88,9	62731316	60731316	61731316
4 modules LED LLC1300	4000	44	0,5	>0,9	720	4080	92,7	62731416	60731416	61731416
4 modules LED LLC900	3000	18	0,5	>0,9	1330	1770	97,2	62741316	60741316	61741316
4 modules LED LLC900	4000	18	0,5	>0,9	1330	1850	101,1	62741614	60741614	61741614
4 modules LED LLC1300	3000	44	0,5	>0,9	1330	3870	87,9	62751316	60751316	61751316
4 modules LED LLC1300	4000	44	0,5	>0,9	1330	4030	91,6	62751416	60751416	61751416
8 modules LED LLC900	3000	42	0,5	>0,9	1330	4080	97,1	62761316	60761316	61761316
8 modules LED LLC900	4000	42	0,5	>0,9	1330	4250	101,2	62761416	60761416	61761416
8 modules LED LLC1300	3000	71	0,5	>0,9	1330	6650	93,7	62771316	60771316	61771316
8 modules LED LLC1300	4000	71	0,5	>0,9	1330	6930	97,6	62771416	60771416	61771416

TITAN LED + DALI dimmable + switch dimming										
technical specifications and conditions of use for dali : www.securlite.com (NOT0880)										
Designation	CCT (K)	Power (W)	Power in standby (W)	Power factor	Length (mm)	Luminaire output (lm)	Luminaire efficacy (lm/W)	Code TITAN C95	Code TITAN A45	Code TITAN A30
2 modules LED LLC900	3000	13	<0,5	>0,9	720	1000	76,9	62701321	60701321	61701321
2 modules LED LLC900	4000	13	<0,5	>0,9	720	1050	80,8	62701421	60701421	61701421
2 modules LED LLC1300	3000	22	<0,5	>0,9	720	1930	87,7	62711321	60711321	61711321
2 modules LED LLC1300	4000	22	<0,5	>0,9	720	2010	91,4	62711421	60711421	61711421
4 modules LED LLC900	3000	18	<0,5	>0,9	720	1750	98,3	62721321	60721321	61721321
4 modules LED LLC900	4000	18	<0,5	>0,9	720	1820	102,8	62721421	60721421	61721421
4 modules LED LLC1300**	3000	44	<0,5	>0,9	720	3910	88,9	62731321	60731321	61731321
4 modules LED LLC1300**	4000	44	<0,5	>0,9	720	4080	92,7	62731421	60731421	61731421
4 modules LED LLC900	3000	18	<0,5	>0,9	1330	1770	97,2	62741321	60741321	61741321
4 modules LED LLC900	4000	18	<0,5	>0,9	1330	1850	101,1	62742114	60742114	61742114
4 modules LED LLC1300**	3000	44	<0,5	>0,9	1330	3870	87,9	62751321	60751321	61751321
4 modules LED LLC1300**	4000	44	<0,5	>0,9	1330	4030	91,6	62751421	60751421	61751421
8 modules LED LLC900**	3000	42	<0,5	>0,9	1330	4080	97,1	62761321	60761321	61761321
8 modules LED LLC900**	4000	42	<0,5	>0,9	1330	4250	101,2	62761421	60761421	61761421
8 modules LED LLC1300**	3000	71	<0,5	>0,9	1330	6650	93,7	62771321	60771321	61771321
8 modules LED LLC1300**	4000	71	<0,5	>0,9	1330	6930	97,6	62771421	60771421	61771421

Operating instruction : www.securlite.com (NOT0560)

Technical and dimensional data are given for information only and may be modified at any time without notice. Please enquire before ordering.

05/01/2024