



## ALÉANE ASYMMETRICAL

### Features

- Input voltage: 220–240 V AC, 50/60 Hz
- Input voltage range: 198–264 V AC
- Electrical protection class 1
- IP: 65
- IK: 11+ / 80 joules
- Incandescent wire test 850 °C / 30 s
- Rated ambient operating temperature: 25 °C
- Operating temperature range : -20 °C ... +35 °C
- VK45 wall-mounted, VK45 ceiling-mounted
- CRI: 80
- SDCM (Standard Deviation Colour Matching): 3
- Photobiological hazard: RG0
- Energy class C light source
- Lumen maintenance: L80B10 / over 72,000 hr
- Lumen maintenance: L90B50 / 52,000 hr
- Repairable luminaire. Spare parts available on demand
- 5-year guarantee, details of conditions available on [securlite.com](http://securlite.com)

### Applications

- Extra-flat technical luminaire for pits
- Installation positions: refer to installation instructions

### Materials

- Rip-out-resistant body in 1 mm anticorrosion-treated steel with polyester powder-coated finish
- Cover in 1.5 mm thick anticorrosion-treated steel with polyester powder-coated finish
- 3 mm Duroflam® diffuseur
- Protected cable entries
- Fixing outside the sealed body
- RoHS: the products contain no prohibited substances as defined in the European Directive 2011/65/UE and amendments

### Colours / Finish

- Standard colour: white RAL9010 – anti-graffiti protection

### Wiring

- Supply terminal block: automatic dual-entry for 1.5 mm<sup>2</sup> conductors, 3 poles for standard versions
- 3 × 20.5 mm Ø cable entry for cable gland

*Technical and dimensional data are given for information only and may be modified at any time without notice. Please enquire before ordering.*

05/01/2024

## Fixings

- Diffuser: retained by M6 stainless 2-point tamper-proof screws with sealing washers

## Tools

(to be ordered separately)

- M6 bit for 2-point tamper-proof screws – code: **98000004**
- Bit-holder screwdriver – code: **980000005**

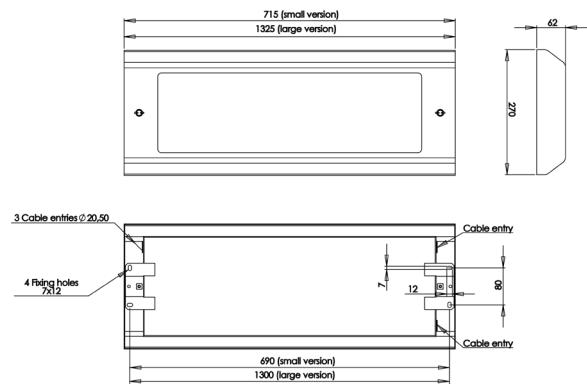
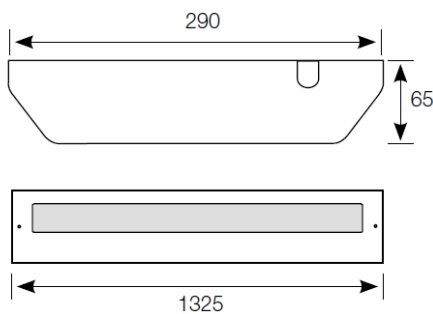
## Approvals

Certificates available:

- CE certificate (as per EN60598-1 / 2-1)
- Incandescent Wire Test certificate (depending on product)

## Dimensions

Length: corresponding to luminaire power



## Technical data and order codes

ALEANE LED asymmetrical for pits								
Designation	CCT (K)	Power (W)	Power in standby (W)	Power factor	L (mm)	Luminaire output (lm)	Luminaire efficacy (lm/W)	Code
Aléane 4 modules LED LLC900	3000	17	-	>0,9	1325	1250	74	69450300
Aléane 4 modules LED LLC900	4000	17	-	>0,9	1325	1300	76	69450400
Aléane 4 modules LED LLC1300	3000	41	-	>0,9	1325	2800	68	69460300
Aléane 4 modules LED LLC1300	4000	41	-	>0,9	1325	2900	71	69460400

ALEANE LED asymmetrical for pits DALI dimmable + switch dimming + standby warning								
Designation	CCT (K)	Power (W)	Power in standby (W)	Power factor	L (mm)	Luminaire output (lm)	Luminaire efficacy (lm/W)	Code
Aléane 4 modules LED LLC900	3000	18	<0,5	>0,9	1325	1250	69	69450321
Aléane 4 modules LED LLC900	4000	18	<0,5	>0,9	1325	1300	72	69450421
Aléane 4 modules LED LLC1300	3000	42	<0,5	>0,9	1325	2800	67	69460321
Aléane 4 modules LED LLC1300	4000	42	<0,5	>0,9	1325	2900	69	69460421

Operating instruction : [www.securlite.com](http://www.securlite.com) (NOT0550)

Technical and dimensional data are given for information only and may be modified at any time without notice. Please enquire before ordering.

05/01/2024