



VOILA ASYMMETRIC

Features

- Input voltage: 220–240 V AC, 50/60 Hz
- Input voltage range: 198–264 V AC
- Electrical protection class 2
- IP: 55, with silicone gasket
- IK: 10 / 20 joules
- Incandescent wire test 850 °C / 30 s
- Rated ambient operating temperature: 25 °C
- Operating temperature range : -20 °C ... +35 °C
- Anti-rip-out skirt, 4 internal fixing points
- VK25 wall-mounted
- CRI: 80
- SDCM (Standard Deviation Colour Matching): 3
- Photobiological hazard: RG0
- Energy class C light source
- Lumen maintenance: L80B10 / over 72,000 hours
- Lumen maintenance: L90B50 / 52,000 hours
- Number of detector switching cycles: 1,000,000 at maximum load.
- Repairable luminaire. Spare parts available on demand
- 5-year guarantee, details of conditions available on [securlite.com](https://www.securlite.com)

Applications

- Decorative luminaire for indoor and outdoor environments subject to moderate vandalism
- Conditions of use:
 - Models with detection: installation indoor only
 - Installation positions: refer to installation instructions

Materials

- Base: recycled polycarbonate
- Diffuser: opal polycarbonate
- Aluminium reflector
- RoHS: the products contain no prohibited substances as defined in the European Directive 2011/65/CE and amendments

Colours / Finish

- Standard base colours: white RAL9003, black RAL9005, window grey RAL7035
- Screw covers: white RAL9003, black RAL9005, grey RAL7035

Technical and dimensional data are given for information only and may be modified at any time without notice. Please enquire before ordering.

05/01/2024

Wiring

- 1 × 20,5 mm Ø cable entry + 1 knockout × 20,5 mm Ø cable entry for cable gland
- Supply terminal block: automatic dual-entry for 1.5 mm² conductors
- Side cable entries for plastic conduit for renovation

Fixings

- Standard versions use M5 stainless cross-point diffuser fixing screws (VK24)
- Vandal-resistant versions use M5 stainless 2-point tamper-proof diffuser fixing screws
- Captive diffuser screws

Facilities available

- Stainless crosspoint screws: add the suffix **9702** to the product code – example: 107xxxxx **9702**
- Grey screw cover RAL7035 code: **9810 0011**
- White screw cover RAL9003 code: **9810 0004**
- Black screw cover RAL9005 code: **9810 0003**

Accessories

(to be ordered separately)

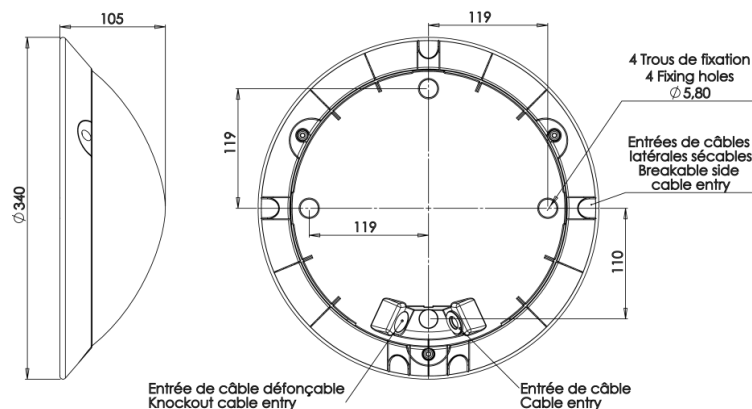
- M5 bit for 2-point tamper-proof screws – code: **98000003**
- Remote control (radio-control version) – code: **98000010**
- M5 bit-holder screwdriver – code: **98000005**

Approvals

Certificates available:

- CE certificate (as per EN60598-1 / 2-1)
- Incandescent Wire Test certificate (depending on product)
- EPD available for ON/OFF version : <https://register.pep-ecopassport.org>
- EPD available for Controllable version : <https://register.pep-ecopassport.org>

Dimensions



Technical and dimensional data are given for information only and may be modified at any time without notice. Please enquire before ordering.

05/01/2024

Technical data and order codes

| VOILA LED asymmetric | | | | | | | | |
|---------------------------|---------|-----------|-----------------------|-----------------------|---------------------------|----------|----------|----------|
| Designation | CCT (K) | Power (W) | Power in stand-by (W) | Luminaire output (lm) | Luminaire efficacy (lm/W) | White | Grey | Black |
| Voila LED 2600 asymmetric | 3000 | 16 | - | 2028 | 126,8 | 10710300 | 10713300 | 10712300 |
| Voila LED 2600 asymmetric | 4000 | 16 | - | 2114 | 132,1 | 10710400 | 10713400 | 10712400 |
| Voila LED 3600 asymmetric | 3000 | 23 | - | 2804 | 121,9 | 10700300 | 10703300 | 10702300 |
| Voila LED 3600 asymmetric | 4000 | 23 | - | 2922 | 127 | 10700400 | 10703400 | 10702400 |

| VOILA LED asymmetric (1) with detection <i>technical specifications and conditions for detection</i> www.securlite.com (NOT0400) | | | | | | | | |
|--|---------|-----------|-----------------------|-----------------------|---------------------------|----------|----------|----------|
| Designation | CCT (K) | Power (W) | Power in stand-by (W) | Luminaire output (lm) | Luminaire efficacy (lm/W) | White | Grey | Black |
| Voila LED 2600 asymmetric | 3000 | 17 | <0,5 | 2009 | 118,2 | 10710311 | 10713311 | 10712311 |
| Voila LED 2600 asymmetric | 4000 | 17 | <0,5 | 2094 | 123,2 | 10710411 | 10713411 | 10712411 |
| Voila LED 3600 asymmetric | 3000 | 24 | <0,5 | 2777 | 115,7 | 10700311 | 10703311 | 10702311 |
| Voila LED 3600 asymmetric | 4000 | 24 | <0,5 | 2894 | 120,6 | 10700411 | 10703411 | 10702411 |

| VOILA LED asymmetric (1) with Pro detection + Extinction or standby warning <i>technical specifications and conditions for detection</i> www.securlite.com (NOT0425) | | | | | | | | |
|--|---------|-----------|-----------------------|-----------------------|---------------------------|----------|----------|----------|
| Designation | CCT (K) | Power (W) | Power in stand-by (W) | Luminaire output (lm) | Luminaire efficacy (lm/W) | White | Grey | Black |
| Voila LED 2600 asymmetric | 3000 | 17 | <0,5 | 2009 | 118,2 | 10710313 | 10713313 | 10712313 |
| Voila LED 2600 asymmetric | 4000 | 17 | <0,5 | 2094 | 123,2 | 10710413 | 10713413 | 10712413 |
| Voila LED 3600 asymmetric | 3000 | 24 | <0,5 | 2777 | 115,7 | 10700313 | 10703313 | 10702313 |
| Voila LED 3600 asymmetric | 4000 | 24 | <0,5 | 2894 | 120,6 | 10700413 | 10703413 | 10702413 |

| VOILA LED asymmetric - slave version + extinction or stand-by warning <i>technical specifications and conditions for detection</i> www.securlite.com (NOT0435) | | | | | | | | |
|--|---------|-----------|-----------------------|-----------------------|---------------------------|----------|----------|----------|
| Designation | CCT (K) | Power (W) | Power in stand-by (W) | Luminaire output (lm) | Luminaire efficacy (lm/W) | White | Grey | Black |
| Voila LED 2600 asymmetric | 3000 | 17 | <0,5 | 2009 | 118,2 | 10710303 | 10713303 | 10712303 |
| Voila LED 2600 asymmetric | 4000 | 17 | <0,5 | 2094 | 123,2 | 10710403 | 10713403 | 10712403 |
| Voila LED 3600 asymmetric | 3000 | 24 | <0,5 | 2777 | 115,7 | 10700303 | 10703303 | 10702303 |
| Voila LED 3600 asymmetric | 4000 | 24 | <0,5 | 2894 | 120,6 | 10700403 | 10703403 | 10702403 |

| VOILA LED asymmetric with Pro detection + radio-control <i>technical specifications and conditions for detection</i> www.securlite.com (NOT0420) | | | | | | | | |
|--|---------|-----------|-----------------------|-----------------------|---------------------------|----------|----------|----------|
| Designation | CCT (K) | Power (W) | Power in stand-by (W) | Luminaire output (lm) | Luminaire efficacy (lm/W) | White | Grey | Black |
| Voila LED 2600 asymmetric | 3000 | 17 | 0,5 | 2009 | 118,2 | 10710316 | 10713316 | 10712316 |
| Voila LED 2600 asymmetric | 4000 | 17 | 0,5 | 2094 | 123,2 | 10710416 | 10713416 | 10712416 |
| Voila LED 3600 asymmetric | 3000 | 24 | 0,5 | 2777 | 115,7 | 10700316 | 10703316 | 10702316 |
| Voila LED 3600 asymmetric | 4000 | 24 | 0,5 | 2894 | 120,6 | 10700416 | 10703416 | 10702416 |

| VOILA LED asymmetric with Pro detection + extinction or standby warning + radio-control <i>technical specifications and conditions for detection</i> www.securlite.com (NOT0430) | | | | | | | | |
|--|---------|-----------|-----------------------|-----------------------|---------------------------|----------|----------|----------|
| Designation | CCT (K) | Power (W) | Power in stand-by (W) | Luminaire output (lm) | Luminaire efficacy (lm/W) | White | Grey | Black |
| Voila LED 2600 asymmetric | 3000 | 17 | 0,5 | 2009 | 118,2 | 10710317 | 10713317 | 10712317 |
| Voila LED 2600 asymmetric | 4000 | 17 | 0,5 | 2094 | 123,2 | 10710417 | 10713417 | 10712417 |
| Voila LED 3600 asymmetric | 3000 | 24 | 0,5 | 2777 | 115,7 | 10700317 | 10703317 | 10702317 |
| Voila LED 3600 asymmetric | 4000 | 24 | 0,5 | 2894 | 120,6 | 10700417 | 10703417 | 10702417 |

Technical and dimensional data are given for information only and may be modified at any time without notice. Please enquire before ordering.

05/01/2024

Technical data and order codes

| VOILA LED asymmetric slave version + extinction or stand-by warning + radio-control technical specifications and conditions for detection www.securlite.com (NOT0440) | | | | | | | | |
|---|---------|-----------|-----------------------|-----------------------|---------------------------|----------|----------|----------|
| Designation | CCT (K) | Power (W) | Power in stand-by (W) | Luminaire output (lm) | Luminaire efficacy (lm/W) | White | Grey | Black |
| Voila LED 2600 asymmetric | 3000 | 17 | 0,5 | 2009 | 118,2 | 10710307 | 10713307 | 10712307 |
| Voila LED 2600 asymmetric | 4000 | 17 | 0,5 | 2094 | 123,2 | 10710407 | 10713407 | 10712407 |
| Voila LED 3600 asymmetric | 3000 | 24 | 0,5 | 2777 | 115,7 | 10700307 | 10703307 | 10702307 |
| Voila LED 3600 asymmetric | 4000 | 24 | 0,5 | 2894 | 120,6 | 10700407 | 10703407 | 10702407 |

Operating instruction : www.securlite.com (NOT0315)