



## VOILA LED Asymmetric

### Features

- Input voltage: 220–240 V AC, 50/60 Hz
- Input voltage range: 198–264 V AC
- Electrical protection class 2
- IP: 55, with silicone gasket
- IK: 10 / 20 joules
- Incandescent wire test 850 °C / 30 s
- Rated ambient operating temperature: 25 °C to NF EN 60598-1 standard
- Anti-rip-out skirt, 4 internal fixing points
- VK25 wall-mounted
- CRI: 80
- SDCM (Standard Deviation Colour Matching): 3
- Photobiological hazard: RG0
- Lumen maintenance: L80B10 / over 72,000 hours
- Lumen maintenance: L90B50 / 52,000 hours
- Repairable luminaire. Spare parts available on demand.

### Applications

- Decorative luminaire for indoor and outdoor environments subject to moderate vandalism
- Conditions of use:
  - Models with detection: installation indoor only
  - Installation positions: refer to installation instructions

### Materials

- Base: recycled polycarbonate
- Diffuser: opal polycarbonate
- Aluminium reflector
- RoHS: the products contain no prohibited substances as defined in the European Directive 2011/65/CE and amendments

### Colours / Finish

- Standard base colours: white RAL9003, black RAL9005, window grey RAL7035
- Screw covers: white RAL9003, black RAL9005, grey RAL7035

### Wiring

- 1 × 20,5 mm Ø cable entry + 1 knockout × 20,5 mm Ø cable entry for cable gland
- Supply terminal block: automatic dual-entry for 1.5 mm<sup>2</sup> conductors
- Side cable entries for plastic conduit for renovation

## Fixings

- Standard versions use M5 stainless cross-point diffuser fixing screws (VK24)
- Vandal-resistant versions use M5 stainless 2-point tamper-proof diffuser fixing screws
- Captive diffuser screws

## Facilities available

- Stainless crosspoint screws: add the suffix **9702** to the product code – example: 107xxxxx **9702**
- Grey screw cover RAL7035 code: **9810 0011**
- White screw cover RAL9003 code: **9810 0004**
- Black screw cover RAL9005 code: **9810 0003**

## Accessories

(to be ordered separately)

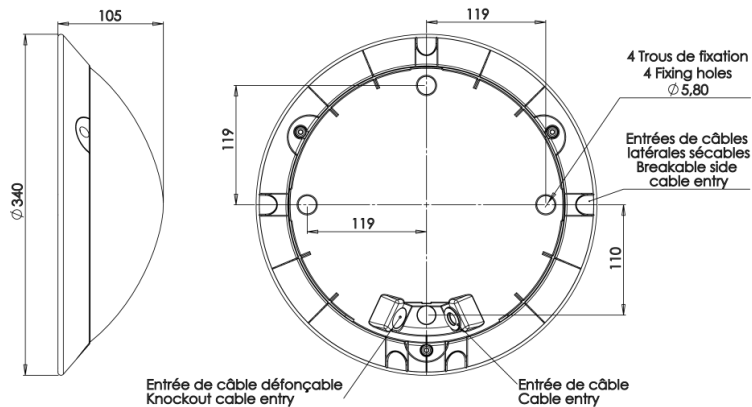
- M5 bit for 2-point tamper-proof screws – code: **98000003**
- Remote control (radio-control version) – code: **98000010**
- M5 bit-holder screwdriver – code: **98000005**

## Approvals

Certificates available:

- CE certificate (as per EN60598-1 / 2-1)
- Incandescent Wire Test certificate (depending on product)

## Dimensions



VOILA LED asymmetric								
Designation	CCT (K)	Power (W)	Power in stand-by (W)	Luminaire output (lm)	Luminaire efficacy (lm/W)	White	Grey	Black
Voila LED 2600 asymmetric	3000	16	-	2028	126,8	10710300	10713300	10712300
Voila LED 2600 asymmetric	4000	16	-	2114	132,1	10710400	10713400	10712400
Voila LED 3600 asymmetric	3000	23	-	2804	121,9	10700300	10703300	10702300
Voila LED 3600 asymmetric	4000	23	-	2922	127	10700400	10703400	10702400

VOILA LED asymmetric (1) with detection technical specifications and conditions for detection <a href="http://www.securlite.com">www.securlite.com</a> (NOT0400)								
Designation	CCT (K)	Power (W)	Power in stand-by (W)	Luminaire output (lm)	Luminaire efficacy (lm/W)	White	Grey	Black
Voila LED 2600 asymmetric	3000	17	<0,5	2009	118,2	10710311	10713311	10712311
Voila LED 2600 asymmetric	4000	17	<0,5	2094	123,2	10710411	10713411	10712411
Voila LED 3600 asymmetric	3000	24	<0,5	2777	115,7	10700311	10703311	10702311
Voila LED 3600 asymmetric	4000	24	<0,5	2894	120,6	10700411	10703411	10702411

VOILA LED asymmetric (1) with Pro detection + Extinction or standby warning technical specifications and conditions for detection <a href="http://www.securlite.com">www.securlite.com</a> (NOT0425)								
Designation	CCT (K)	Power (W)	Power in stand-by (W)	Luminaire output (lm)	Luminaire efficacy (lm/W)	White	Grey	Black
Voila LED 2600 asymmetric	3000	17	<0,5	2009	118,2	10710313	10713313	10712313
Voila LED 2600 asymmetric	4000	17	<0,5	2094	123,2	10710413	10713413	10712413
Voila LED 3600 asymmetric	3000	24	<0,5	2777	115,7	10700313	10703313	10702313
Voila LED 3600 asymmetric	4000	24	<0,5	2894	120,6	10700413	10703413	10702413

VOILA LED asymmetric - slave version + extinction or stand-by warning technical specifications and conditions for detection <a href="http://www.securlite.com">www.securlite.com</a> (NOT0435)								
Designation	CCT (K)	Power (W)	Power in stand-by (W)	Luminaire output (lm)	Luminaire efficacy (lm/W)	White	Grey	Black
Voila LED 2600 asymmetric	3000	17	<0,5	2009	118,2	10710303	10713303	10712303
Voila LED 2600 asymmetric	4000	17	<0,5	2094	123,2	10710403	10713403	10712403
Voila LED 3600 asymmetric	3000	24	<0,5	2777	115,7	10700303	10703303	10702303
Voila LED 3600 asymmetric	4000	24	<0,5	2894	120,6	10700403	10703403	10702403

VOILA LED asymmetric with Pro detection + radio-control technical specifications and conditions for detection <a href="http://www.securlite.com">www.securlite.com</a> (NOT0420)								
Designation	CCT (K)	Power (W)	Power in stand-by (W)	Luminaire output (lm)	Luminaire efficacy (lm/W)	White	Grey	Black
Voila LED 2600 asymmetric	3000	17	0,5	2009	118,2	10710316	10713316	10712316
Voila LED 2600 asymmetric	4000	17	0,5	2094	123,2	10710416	10713416	10712416
Voila LED 3600 asymmetric	3000	24	0,5	2777	115,7	10700316	10703316	10702316
Voila LED 3600 asymmetric	4000	24	0,5	2894	120,6	10700416	10703416	10702416

VOILA LED asymmetric with Pro detection + extinction or standby warning + radio-control technical specifications and conditions for detection <a href="http://www.securlite.com">www.securlite.com</a> (NOT0430)								
Designation	CCT (K)	Power (W)	Power in stand-by (W)	Luminaire output (lm)	Luminaire efficacy (lm/W)	White	Grey	Black
Voila LED 2600 asymmetric	3000	17	0,5	2009	118,2	10710317	10713317	10712317
Voila LED 2600 asymmetric	4000	17	0,5	2094	123,2	10710417	10713417	10712417
Voila LED 3600 asymmetric	3000	24	0,5	2777	115,7	10700317	10703317	10702317
Voila LED 3600 asymmetric	4000	24	0,5	2894	120,6	10700417	10703417	10702417

VOILA LED asymmetric slave version + extinction or stand-by warning + radio-control technical specifications and conditions for detection <a href="http://www.securlite.com">www.securlite.com</a> (NOT0440)								
Designation	CCT (K)	Power (W)	Power in stand-by (W)	Luminaire output (lm)	Luminaire efficacy (lm/W)	White	Grey	Black
Voila LED 2600 asymmetric	3000	17	0,5	2009	118,2	10710307	10713307	10712307
Voila LED 2600 asymmetric	4000	17	0,5	2094	123,2	10710407	10713407	10712407
Voila LED 3600 asymmetric	3000	24	0,5	2777	115,7	10700307	10703307	10702307
Voila LED 3600 asymmetric	4000	24	0,5	2894	120,6	10700407	10703407	10702407

Technical and dimensional data are given for information only and may be modified at any time without notice. Please enquire before ordering.

29/06/2022

