



VOILA ACCESS

Features

- Input voltage: 220–240 V AC, 50/60 Hz
- Input voltage range: 198–264 V AC
- Electrical protection class 2
- IP: 55, with silicone gasket
- IK: 10 / 20 joules
- Incandescent wire test 850 °C / 30 s
- Rated ambient operating temperature: 25 °C
- Operating temperature range : -20 °C ... +35 °C
- Anti-rip-out skirt, 4 internal fixing points
- VK26 wall-mounted, VK26 ceiling-mounted
- CRI: 80
- SDCM (Standard Deviation Colour Matching): 5
- Photobiological hazard: RG0
- Energy class C light source
- Lumen maintenance: L70B10 / 56,000 hours
- Repairable luminaire. Spare parts available on demand
- 3-year guarantee, details of conditions available on [securlite.com](https://www.securlite.com)

Applications

- Decorative luminaire for indoor and outdoor environments subject to moderate vandalism
- Conditions of use:
 - Models with detection: installation indoor only
 - Installation positions: refer to installation instructions

Materials

- Base: recycled polycarbonate
- Diffuser: opal polycarbonate
- RoHS: the products contain no prohibited substances as defined in the European Directive 2011/65/UE and amendments

Colours / Finish

- Standard base colours: white RAL9003
- Screw covers: white RAL9003

Wiring

- 1 × 20,5 mm Ø cable entry + 1 knockout × 20,5 mm Ø cable entry for cable gland
- Supply terminal block: automatic dual-entry for 1.5 mm² conductors
- Side cable entries for plastic conduit for renovation

Technical and dimensional data are given for information only and may be modified at any time without notice. Please enquire before ordering.

05/01/2024

Fixings

- Vandal-resistant versions use M5 stainless 2-point tamper-proof diffuser fixing screws
- Captive screws with diffuser

Option

- Stainless crosspoint screws: add the suffix **9702** to the product code – example: 107xxxxx **9702**

Accessories *(to be ordered separately)*

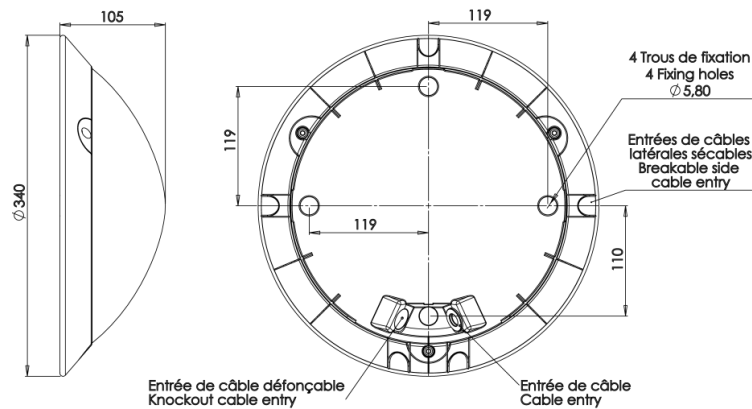
- M5 bit for 2-point tamper-proof screws – code: **98000003**
- Bit-holder screwdriver – code: **980000005**

Approvals

Certificates available:

- CE certificate (as per EN60598-1 / 2-1)
- Incandescent Wire Test certificate (depending on product)
- EPD available for ON/OFF version : <https://register.pep-ecopassport.org>
- EPD available for Controllable version : <https://register.pep-ecopassport.org>

Dimensions



Technical data and order codes

VOILA ACCESS						
Designation	CCT (K)	Power (W)	Power in stand-by (W)	Luminaire output (lm)	Luminaire efficacy (lm/W)	Reference
Voila Access 1200	4000	10	-	1090	109	10720400
Voila Access 2000	4000	14	-	1600	114,3	10730400
Voila Access 2750	4000	19	-	2325	122,4	10740400

VOILA ACCESS with detection <i>technical specifications and conditions for detection (NOT0805): www.securlite.com</i>						
Designation	CCT (K)	Power (W)	Power in stand-by (W)	Luminaire output (lm)	Luminaire efficacy (lm/W)	Reference
Voila Access 1200	4000	11	<0,5	1090	99	10720410
Voila Access 2000	4000	15	<0,5	1600	106,7	10730410
Voila Access 2750	4000	19	<0,5	2325	122,4	10740410

Operating instruction : www.securlite.com (NOT0315)

Technical and dimensional data are given for information only and may be modified at any time without notice. Please enquire before ordering.

05/01/2024