



VOILA ACCESS

Features

- Input voltage: 220–240 V AC, 50/60 Hz
- Input voltage range: 198–264 V AC
- Electrical protection class 2
- IP: 55, with silicone gasket
- IK: 10 / 20 joules
- Incandescent wire test 850 °C / 30 s
- Rated ambient operating temperature: 25 °C
- Operating temperature range : -20 °C ... +35 °C
- Anti-rip-out skirt, 4 internal fixing points
- VK26 wall-mounted
- CRI: 80
- SDCM (Standard Deviation Colour Matching): 5
- Photobiological hazard: RG0
- Energy class C light source
- Lumen maintenance: L70B10 / 56,000 hours
- Repairable luminaire. Spare parts available on demand
- 3-year guarantee, details of conditions available on securlite.com

Applications

- Decorative luminaire for indoor and outdoor environments subject to moderate vandalism
- Conditions of use:
 - Models with detection: installation indoor only
 - Installation positions: refer to installation instructions

Materials

- Base: polycarbonate
- Diffuser: opal polycarbonate
- Aluminium reflector
- RoHS: the products contain no prohibited substances as defined in the European Directive 2011/65/UE and amendments

Colours / Finish

- Standard base colours: white RAL9003
- Screw covers: white RAL9003

Technical and dimensional data are given for information only and may be modified at any time without notice. Please enquire before ordering.

05/01/20224

Wiring

- 1 × 20,5 mm Ø cable entry + 1 knockout × 20,5 mm Ø cable entry for cable gland
- Supply terminal block: automatic dual-entry for 1.5 mm² conductors
- Side cable entries for plastic conduit for renovation

Fixings

- Vandal-resistant versions use M5 stainless 2-point tamper-proof diffuser fixing screws
- Captive screws with diffuser

Option

- Stainless crosspoint screws: add the suffix **9702** to the product code – example: 107xxxxx **9702**

Accessories

(to be ordered separately)

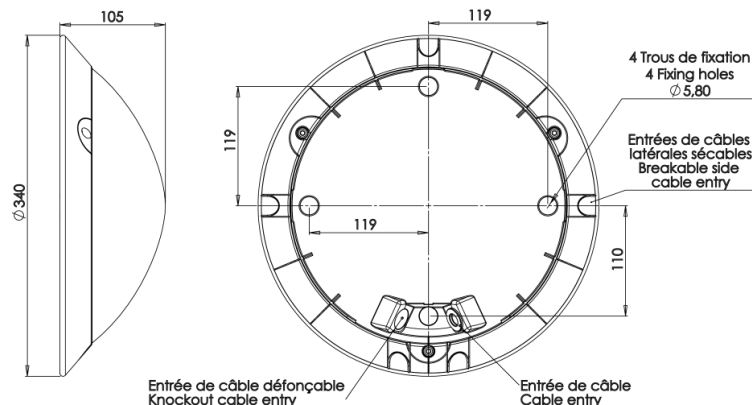
- M5 bit for 2-point tamper-proof screws – code: **98000003**
- Bit-holder screwdriver – code: **980000005**

Approvals

Certificates available:

- CE certificate (as per EN60598-1 / 2-1)
- Incandescent Wire Test certificate (depending on product)
- EPD available for ON/OFF version : <https://register.pep-ecopassport.org>
- EPD available for Controllable version : <https://register.pep-ecopassport.org>

Dimensions



Technical data and order codes

VOILA ACCESS Asymmetric						
Designation	CCT (K)	Power (W)	Power in stand-by (W)	Luminaire output (lm)	Luminaire efficacy (lm/W)	White
Voila Access Asymmetric 2600	4000	16	-	2114	132,1	10760400
Voila Access Asymmetric 3600	4000	23	-	2922	127	10750400

VOILA ACCESS Asymmetric with detection technical specifications and conditions for detection www.securlite.com (NOT0805)						
Designation	CCT (K)	Power (W)	Power in stand-by (W)	Luminaire output (lm)	Luminaire efficacy (lm/W)	White
Voila Access Asymmetric 2600	4000	17	<0,5	2094	123,2	10760410
Voila Access Asymmetric 3600	4000	24	<0,5	2894	120,6	10750410

Operating instruction : www.securlite.com (NOT0315)

Technical and dimensional data are given for information only and may be modified at any time without notice. Please enquire before ordering.