



## BANG SQUARE LED

### Features

- Input voltage: 220–240 V AC, 50/60 Hz
- Input voltage range: 198–264 V AC
- Electrical protection class 2
- IP: 55, with silicone gasket
- IK: 11 / 50 joules
- Incandescent wire test 850 °C / 30 s
- Rated ambient operating temperature: 25 °C to NF EN 60598-1 standard
- Anti-rip-out skirt, 4 internal fixing points
- VK35 wall-mounted, VK36 ceiling-mounted
- CRI: 80
- SDCM (Standard Deviation Colour Matching): 3
- Photobiological hazard: RG0
- Lumen maintenance: L80B10 / 72,000 hours
- Repairable luminaire. Spare parts available on demand.

### Applications

- Decorative luminaire for indoor and outdoor environments subject to moderate vandalism
- Conditions of use:
  - Models with detection: not recommended for outdoor use
  - Installation positions: refer to installation instructions

### Materials

- Base: re-inforced polyamide
- Diffuser: frosted opal polycarbonate
- Screw washers: through-coloured polycarbonate
- RoHS: the products contain no prohibited substances as defined in the European Directive 2011/65/CE and amendments

### Colours / Finish

- Standard base colour: through-coloured white RAL9003
- Screw washers: white RAL9003

### Wiring

- 1 × 20.5 mm Ø cable entry + 1 knockout × 20.5 mm Ø cable entry for cable gland
- Supply terminal block: automatic dual-entry, for 1.5 mm<sup>2</sup> conductors

## Fixings

- Diffuser closed using 3 × M5 stainless fixing screws with 2-point tamper-proof heads and captive

## Facilities available

- Stainless crosspoint screws: add the suffix **9702** to the product code – example: 166xxxxx **9702**

## Tools *(to be ordered separately)*

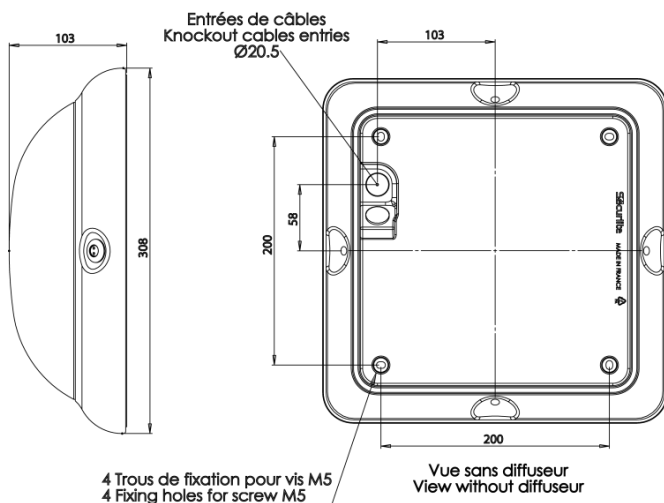
- M5 bit for 2-point tamper-proof screws – code: **98000003**
- Bit-holder screwdriver – code: **980000005**
- Remote control (radio-control version) – code: **98000010**

## Approvals

Certificates available:

- CE certificate (as per EN60598-1 / 2-1)
- Incandescent Wire Test certificate (depending on product)

## Dimensions



<b>BANG Square LED</b>						
Designation	CCT (K)	Power (W)	Power in stand-by (W)	Luminaire output (lm)	Luminaire efficacy (lm/W)	White
Bang Square LED 1200	3000	8,9	-	1020	115	16600300
Bang Square LED 1200	4000	8,9	-	1050	118	16600400
Bang Square LED 1800	3000	13	-	1450	112	16610300
Bang Square LED 1800	4000	13	-	1500	115	16610400
Bang Square LED 2400	3000	18	-	2020	112	16620300
Bang Square LED 2400	4000	18	-	2100	117	16620400
Bang Square LED 3000	3000	20	-	2400	120	16640300
Bang Square LED 3000	4000	20	-	2500	125	16640400

<b>BANG Square LED with detection</b> <i>technical specifications and conditions of use for detection (NOT0400): <a href="http://www.securlite.com">www.securlite.com</a> (NOT0400)</i>						
Designation	CCT (K)	Power (W)	Power in stand-by (W)	Luminaire output (lm)	Luminaire efficacy (lm/W)	White
Bang Square LED 1200	3000	9,7	<0,5	1020	105	16600311
Bang Square LED 1200	4000	9,7	<0,5	1050	108	16600411
Bang Square LED 1800	3000	13	<0,5	1450	112	16610311
Bang Square LED 1800	4000	13	<0,5	1500	115	16610411
Bang Square LED 2400	3000	19	<0,5	2020	106	16620311
Bang Square LED 2400	4000	19	<0,5	2100	111	16620411
Bang Square LED 3000	3000	21	<0,5	2400	114	16640311
Bang Square LED 3000	4000	21	<0,5	2500	119	16640411

<b>BANG Square LED with Pro detection + Extinction or standby warning</b> <i>technical specifications and conditions of use for detection (NOT0425): <a href="http://www.securlite.com">www.securlite.com</a> (NOT0425)</i>						
Designation	CCT (K)	Power (W)	Power in stand-by (W)	Luminaire output (lm)	Luminaire efficacy (lm/W)	White
Bang Square LED 1200	3000	10	<0,5	1020	102	16600313
Bang Square LED 1200	4000	10	<0,5	1050	105	16600413
Bang Square LED 1800	3000	13	<0,5	1450	112	16610313
Bang Square LED 1800	4000	13	<0,5	1500	115	16610413
Bang Square LED 2400	3000	18	<0,5	2020	106	16620313
Bang Square LED 2400	4000	18	<0,5	2100	111	16620413
Bang Square LED 3000	3000	21	<0,5	2400	114	16640313
Bang Square LED 3000	4000	21	<0,5	2500	119	16640413

<b>BAND Square LED slave version + extinction or stand-by warning</b> <i>technical specifications and conditions of use for detection (NOT0435): <a href="http://www.securlite.com">www.securlite.com</a> (NOT0435)</i>						
Designation	CCT (K)	Power (W)	Power in stand-by (W)	Luminaire output (lm)	Luminaire efficacy (lm/W)	White
Bang Square LED 1200	3000	10	<0,5	1020	102	16600303
Bang Square LED 1200	4000	10	<0,5	1050	105	16600403
Bang Square LED 1800	3000	13	<0,5	1450	112	16610303
Bang Square LED 1800	4000	13	<0,5	1500	115	16610403
Bang Square LED 2400	3000	18	<0,5	2020	106	16620303
Bang Square LED 2400	4000	18	<0,5	2100	111	16620403
Bang Square LED 3000	3000	21	<0,5	2400	114	16640303
Bang Square LED 3000	4000	21	<0,5	2500	119	16640403

<b>BANG Square LED with Pro detection + radio-control</b> <i>technical specifications and conditions of use for detection (NOT0420): <a href="http://www.securlite.com">www.securlite.com</a> (NOT0420)</i>						
Designation	CCT (K)	Power (W)	Power in stand-by (W)	Luminaire output (lm)	Luminaire efficacy (lm/W)	White
Bang Square LED 1200	3000	9,7	0,5	1020	105	16600316
Bang Square LED 1200	4000	9,7	0,5	1050	108	16600416
Bang Square LED 1800	3000	13	0,5	1450	112	16610316
Bang Square LED 1800	4000	13	0,5	1500	115	16610416
Bang Square LED 2400	3000	19	0,5	2020	106	16620316
Bang Square LED 2400	4000	19	0,5	2100	111	16620416
Bang Square LED 3000	3000	21	0,5	2400	114	16640316
Bang Square LED 3000	4000	21	0,5	2500	119	16640416

<b>BANG ROUND LED with Pro detection + extinction or standby warning + radio-control</b> <i>technical specifications and conditions of use for detection (NOT0430) : <a href="http://www.securlite.com">www.securlite.com</a> (NOT0430)</i>						
Designation	CCT (K)	Power (W)	Power in stand-by (W)	Luminaire output (lm)	Luminaire efficacy (lm/W)	White
Bang Square LED 1200	3000	10	0,5	1020	102	16600317
Bang Square LED 1200	4000	10	0,5	1050	105	16600417
Bang Square LED 1800	3000	13	0,5	1450	112	16610317
Bang Square LED 1800	4000	13	0,5	1500	115	16610417
Bang Square LED 2400	3000	18	0,5	2020	106	16620317
Bang Square LED 2400	4000	18	0,5	2100	111	16620417
Bang Square LED 3000	3000	21	0,5	2400	114	16640317
Bang Square LED 3000	4000	21	0,5	2500	119	16640417

<b>BANG Square LED slave version + extinction or stand-by warning + radio-control</b> <i>technical specifications and conditions of use for detection (NOT0440) : <a href="http://www.securlite.com">www.securlite.com</a> (NOT0440)</i>						
Designation	CCT (K)	Power (W)	Power in stand-by (W)	Luminaire output (lm)	Luminaire efficacy (lm/W)	White
Bang Square LED 1200	3000	10	0,5	1020	102	16600307
Bang Square LED 1200	4000	10	0,5	1050	105	16600407
Bang Square LED 1800	3000	13	0,5	1450	112	16610307
Bang Square LED 1800	4000	13	0,5	1500	115	16610407
Bang Square LED 2400	3000	18	0,5	2020	106	16620307
Bang Square LED 2400	4000	18	0,5	2100	111	16620407
Bang Square LED 3000	3000	21	0,5	2400	114	16640307
Bang Square LED 3000	4000	21	0,5	2500	119	16640407

<b>BANG Square LED DALI dimmable</b>						
Designation	CCT (K)	Power (W)	Power in stand-by (W)	Luminaire output (lm)	Luminaire efficacy (lm/W)	White
Bang Square LED 1200	3000	9,2	<0,5	1020	111	16600320
Bang Square LED 1200	4000	9,2	<0,5	1050	114	16600420
Bang Square LED 1800	3000	13	<0,5	1450	112	16610320
Bang Square LED 1800	4000	13	<0,5	1500	115	16610420
Bang Square LED 2400	3000	18	<0,5	2020	106	16620320
Bang Square LED 2400	4000	18	<0,5	2100	111	16620420
Bang Square LED 3000	3000	21	<0,5	2400	114	16640320
Bang Square LED 3000	4000	21	<0,5	2500	119	16640420

<b>BANG Square LED DALI dimmable + Switch Dimming</b>						
Designation	CCT (K)	Power (W)	Power in stand-by (W)	Luminaire output (lm)	Luminaire efficacy (lm/W)	White
Bang Square LED 1200	3000	9,2	<0,5	1020	111	16600321
Bang Square LED 1200	4000	9,2	<0,5	1050	114	16600421
Bang Square LED 1800	3000	13	<0,5	1450	112	16610321
Bang Square LED 1800	4000	13	<0,5	1500	115	16610421
Bang Square LED 2400	3000	18	<0,5	2020	106	16620321
Bang Square LED 2400	4000	18	<0,5	2100	111	16620421
Bang Square LED 3000	3000	21	<0,5	2400	114	16640321
Bang Square LED 3000	4000	21	<0,5	2500	119	16640421