



## BANG RECTANGLE ACCESS

### Features

- Input voltage: 220–240 V AC, 50/60 Hz
- Input voltage range: 198–264 V AC
- Electrical protection class 2
- IP: 55, with silicone gasket
- IK: 11 / 50 joules
- Incandescent wire test 850 °C / 30 s
- Rated ambient operating temperature: 25 °C
- Operating temperature range : -20 °C ... +35 °C
- Anti-rip-out skirt, 4 internal fixing points
- VK35 wall-mounted, VK36 ceiling-mounted
- CRI: 80
- SDCM (Standard Deviation Colour Matching): 5
- Photobiological hazard: RG0
- Energy class C light source
- Lumen maintenance: L70B50 / 50,000 hours
- Repairable luminaire. Spare parts available on demand
- 3-year guarantee, details of conditions available on [securlite.com](http://securlite.com)

### Applications

- Architectural luminaire for indoor and outdoor environments subject to moderate vandalism
- Conditions of use:
  - Models with detection: installation indoor only
  - Installation positions: refer to installation instructions

### Materials

- Base: re-inforced polyamide
- Diffuser: opal polycarbonate
- Screw washers: through-coloured polycarbonate
- RoHS: the products contain no prohibited substances as defined in the European Directive 2011/65/UE amendments

### Colours / Finish

- Standard base colours: through-coloured white RAL9003, black paint RAL9005 or aluminium grey RAL9006
- Screw washers: white RAL9003, black RAL9005 or aluminium grey RAL9006

### Wiring

- Supply terminal block: automatic dual-entry for 1.5 mm<sup>2</sup> conductors
- 3 knockout × 10 mm Ø cable entry for cable gland

### Fixings

- Diffuser closed using 2 × M5 stainless fixing screws with 2-point tamper-proof heads and captive washers

Technical and dimensional data are given for information only and may be modified at any time without notice. Please enquire before ordering.

1

05/01/2024

### Facilities available

- Stainless crosspoint screws: add the suffix 9702 to the product code – example: 16xxxxxx **9702**
- Stainless crosspoint screws for opal diffuser: add the suffix 1004 to the product code – example: 16xxxxxx **1004**

### Tools (to be ordered separately)

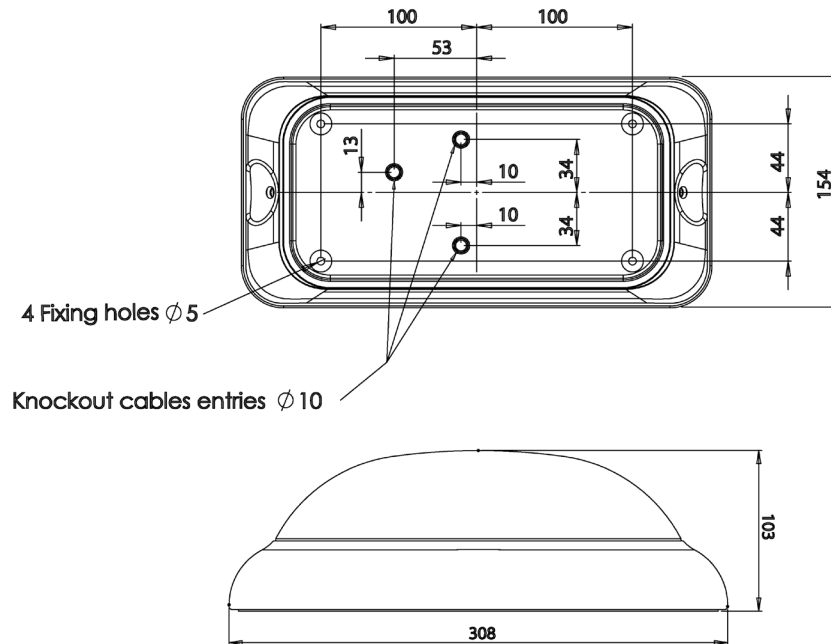
- M5 bit for 2-point tamper-proof screws – code: **98000003**
- Bit-holder screwdriver – code: **98000005**

### Approvals

Certificates available:

- CE certificate (as per EN60598-1 / 2-1)
- Incandescent Wire Test certificate (depending on product)

### Dimensions



### Technical data and order codes

OPAL BANG RECTANGLE LED								
Designation	CCT (K)	Power (W)	Power in Stand-by (W)	Luminaire output (lm)	Luminaire efficacy (lm/W)	WHITE	GREY	BLACK
Bang Rectangle LED 1200	3000	8,9	-	1020	118	16910300	16911300	16912300

Technical and dimensional data are given for information only and may be modified at any time without notice. Please enquire before ordering.

Bang Rectangle LED 1200	4000	8,9	-	1050	118	16910400	16911400	16912400
-------------------------	------	-----	---	------	-----	----------	----------	----------

OPAL BANG RECTANGLE LED with detection technical specifications and conditions for detection: <a href="http://www.securlite.com">www.securlite.com</a> (NOT0805)								
Désignation	CCT (K)	Puissance (W)	Puissance veille (W)	Flux lumineux (lm)	Efficacité lumineuse (lm/W)	WHITE	GREY	BLACK
Bang Rectangle LED 1200	3000	9,2	<0,5	1020	114	16910310	16911310	16912310
Bang Rectangle LED 1200	4000	9,2	<0,5	1050	114	16910410	16911410	16912410

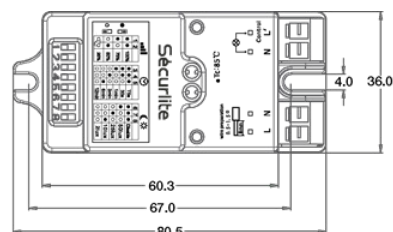
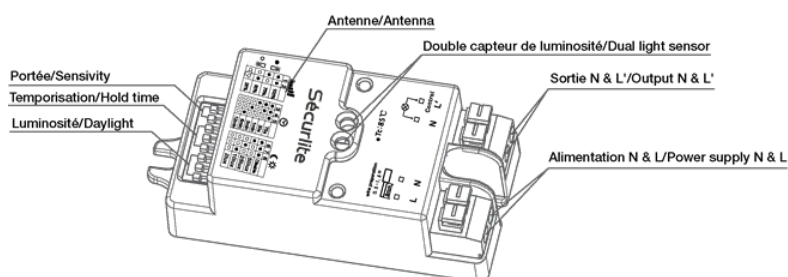
Operating instruction : [www.securlite.com](http://www.securlite.com) (NOT0520)

### Sensor :

\* Maximum load (L'): 10 Securlite LED light fittings with a limit of 100 W / VA

Factory preset, ready to install under standard conditions:

- field sensitivity 75%
- hold time 30 s
- light level on 50 lux



Operating instruction : [www.securlite.com](http://www.securlite.com) (NOT0805)