



BORG0 PRISON LED

Features

- Input voltage: 220–240 V AC, 50/60 Hz
- Input voltage range: 198–264 V AC
- Electrical protection class 1
- IP65 (switch version)
- IP20 (switch + socket version)
- IK10++ / 80 joules
- Incandescent wire test 850 °C / 30 s
- Rated ambient operating temperature: 25 °C to NF EN 60598-1 standard
- VK46 surface mounted
- CRI: 80
- SDCM (Standard Deviation Colour Matching): 3
- Photobiological hazard: RG0
- Lumen maintenance: L80B10 / over 72,000 hours
- Lumen maintenance: L90B50 / 52,000 hours

Applications

- Decorative luminaire for indoor environments subject to moderate and severe vandalism
- Installation positions: refer to installation instructions

Materials

- Base: 1 mm thick zinc-plated steel, frame 2 mm thick ZP steel
- Diffuser: opal diffusing polycarbonate
- RoHS: the products contain no prohibited substances as defined in the European Directive 2011/65/UE and amendments

Colours / Finish

- Standard colour: white RAL9003
- Abrasion-resistant polyester paint finish, withstands polluting chemical elements

Wiring

- Supply terminal block: automatic, dual-entry, for 3 × 1.5 mm² conductors
- 1 × 20.5 mm Ø rear cable entry

Fixings

- Diffuser: retained by M6 stainless 2-point tamper-proof screws with sealing washers

Facilities available

- Flat Duroflam® diffuser: add the suffix **9413** to the product code – example: 53xxxxxx **9413**
- Flat diffusing opal PC diffuser: add the suffix **9415** to the product code – example: 53xxxxxx **9415**
- Stainless crosspoint screws (VK44): add the suffix **9702** to the product code – example: 53xxxxxx **9702**

Tools

(to be ordered separately)

- M6 bit for 2-point tamper-proof screws – code: **98000004**
- Bit-holder screwdriver – code: **980000005**

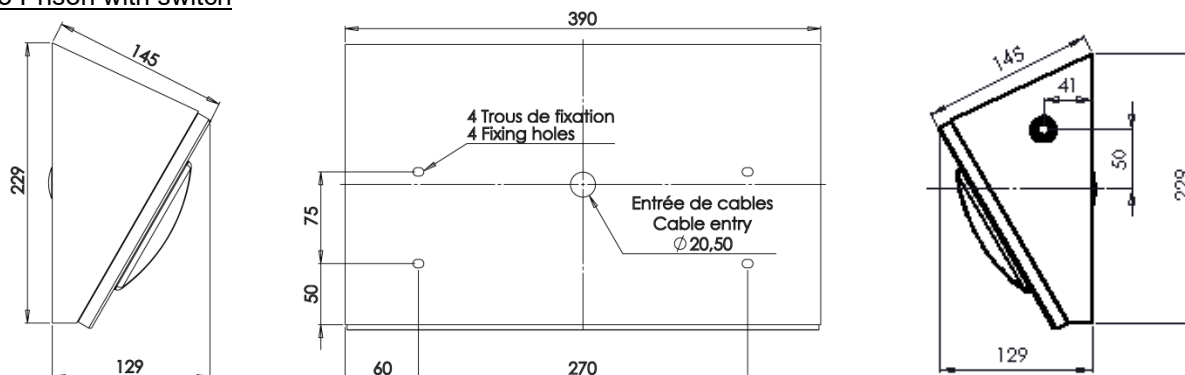
Approvals

Certificates available:

- CE certificate (as per EN60598-1 / 2-1)
- Incandescent Wire Test certificate (depending on product)

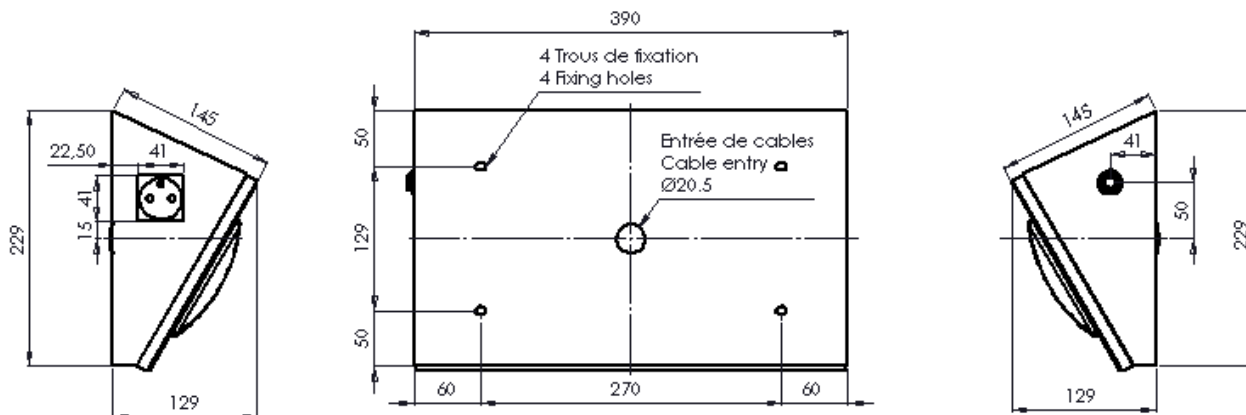
Dimensions

Borgo Prison with switch



| BORG0 PRISON LED IP65 with switch | | | | | | |
|-----------------------------------|---------|-----------|-----------------------|---------------------------|-------------|----------|
| Designation | CCT (K) | Power (W) | Luminaire output (lm) | Luminaire efficacy (lm/W) | Length (mm) | Code |
| 1 module LLC900 | 3000K | 7,8 | 700 | 90 | 390 | 53241300 |
| 1 module LLC900 | 4000K | 7,8 | 725 | 93 | 390 | 53241400 |
| 2 modules LLC900 | 3000K | 17 | 1650 | 97 | 390 | 53251300 |
| 2 modules LLC900 | 4000K | 17 | 1700 | 100 | 390 | 53251400 |

Borgo Prison with switch and socket



| BORG0 PRISON LED IP20 with switch and socket | | | | | | |
|--|---------|-----------|-----------------------|---------------------------|-------------|----------|
| Designation | CCT (K) | Power (W) | Luminaire output (lm) | Luminaire efficacy (lm/W) | Length (mm) | Code |
| 1 module | 3000K | 7,8 | 700 | 90 | 390 | 53261300 |
| 1 module | 4000K | 7,8 | 725 | 93 | 390 | 53261400 |
| 2 modules | 3000K | 17 | 1650 | 97 | 390 | 53271300 |
| 2 modules | 4000K | 17 | 1700 | 100 | 390 | 53271400 |