



## BORGO PRISON

### Features

- Input voltage: 220–240 V AC, 50/60 Hz
- Input voltage range: 198–264 V AC
- Electrical protection class 1
- IP65 (switch version)
- IP20 (switch + socket version)
- IK11 / 80 joules
- Incandescent wire test 850 °C / 30 s
- Rated ambient operating temperature: 25 °C
- Operating temperature range : -20 °C ... +35 °C
- VK46 surface mounted
- CRI: 80
- SDCM (Standard Deviation Colour Matching): 3
- Photobiological hazard: RG0
- Energy class C light source
- Lumen maintenance: L80B10 / over 72,000 hours
- Lumen maintenance: L90B50 / 52,000 hours
- Number of detector switching cycles: 1,000,000 at maximum load.
- Repairable luminaire. Spare parts available on demand
- 5-year guarantee, details of conditions available on [securlite.com](http://securlite.com)

### Applications

- Decorative luminaire for indoor environments subject to moderate and severe vandalism
- Installation positions: refer to installation instructions

### Materials

- Base: 1 mm thick zinc-plated steel, frame 2 mm thick ZP steel
- Diffuser: opal diffusing polycarbonate
- RoHS: the products contain no prohibited substances as defined in the European Directive 2011/65/UE and amendments

### Colours / Finish

- Standard colour: white RAL9003
- Abrasion-resistant polyester paint finish, withstands polluting chemical elements

### Wiring

- Supply terminal block: automatic, dual-entry, for 3 × 1.5 mm<sup>2</sup> conductors
- 1 × 20.5 mm Ø rear cable entry

# Technical data sheet

BORGO PRISON - FT0298

## Fixings

- Diffuser: retained by M6 stainless 2-point tamper-proof screws with sealing washers

## Facilities available

- Flat Duroflam® diffuser: add the suffix **9413** to the product code – example: 53xxxxxx **9413**
- Flat diffusing opal PC diffuser: add the suffix **9415** to the product code – example: 53xxxxxx **9415**
- Stainless crosspoint screws (VK44): add the suffix **9702** to the product code – example: 53xxxxxx **9702**

## Tools

(to be ordered separately)

- M6 bit for 2-point tamper-proof screws – code: **98000004**
- Bit-holder screwdriver – code: **980000005**

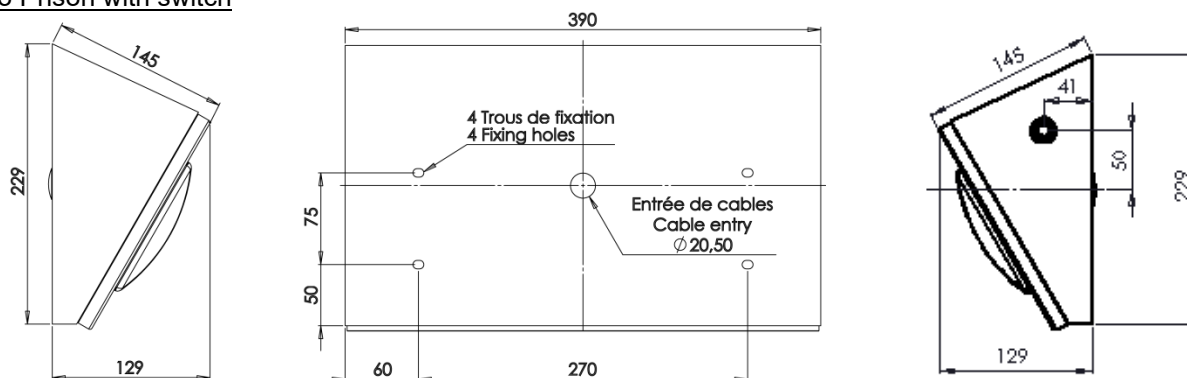
## Approvals

Certificates available:

- CE certificate (as per EN60598-1 / 2-1)
- Incandescent Wire Test certificate (depending on product)

## Dimensions

### Borgo Prison with switch



## Technical data and order codes

BORGO PRISON LED IP65 with switch						
Designation	CCT (K)	Power (W)	Luminaire output (lm)	Luminaire efficacy (lm/W)	Length (mm)	Code
1 module LLC900	3000K	7,8	700	90	390	53241300
1 module LLC900	4000K	7,8	725	93	390	53241400
2 modules LLC900	3000K	17	1650	97	390	53251300
2 modules LLC900	4000K	17	1700	100	390	53251400

Operating instruction : [www.securlite.com](http://www.securlite.com) (NOT0595)

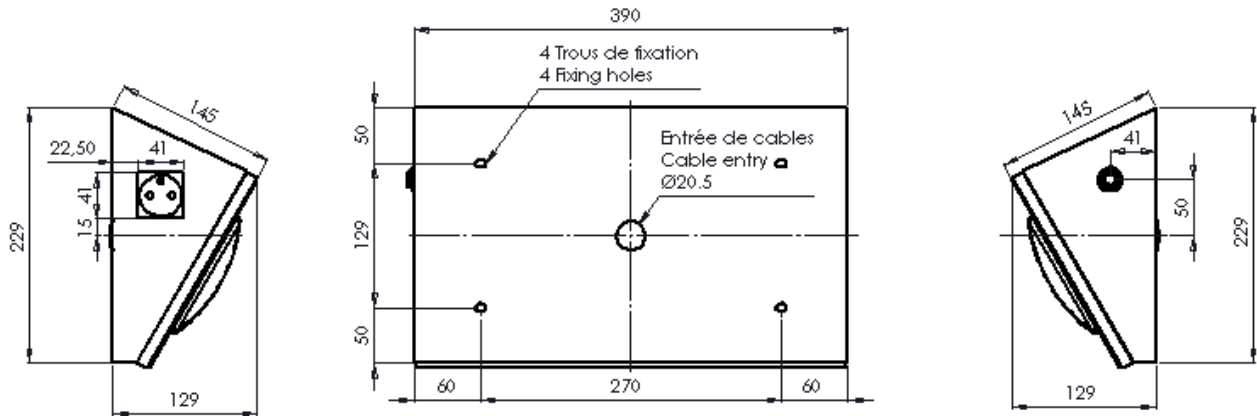
Technical and dimensional data are given for information only and may be modified at any time without notice. Please enquire before ordering.

05/01/2024

# Technical data sheet

BORGO PRISON - FT0298

## Borgo Prison with switch and socket



## Technical data and order codes

BORGO PRISON LED IP20 with switch and socket						
Designation	CCT (K)	Power (W)	Luminaire output (lm)	Luminaire efficacy (lm/W)	Length (mm)	Code
1 module	3000K	7,8	700	90	390	53261300
1 module	4000K	7,8	725	93	390	53261400
2 modules	3000K	17	1650	97	390	53271300
2 modules	4000K	17	1700	100	390	53271400

Operating instruction : [www.securlite.com](http://www.securlite.com) (NOT0595)

Technical and dimensional data are given for information only and may be modified at any time without notice. Please enquire before ordering.

05/01/2024