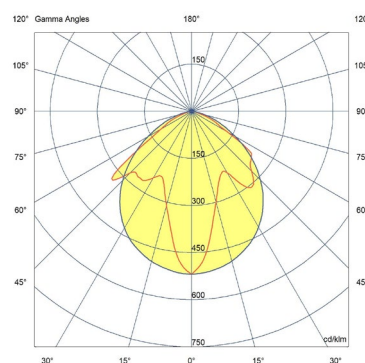




SYSTEO S CLEAR + 40° OPTICS

Features

- Input voltage : 220-240V AC, 50/60 Hz
- Input voltage range : 198-264 V AC
- Electrical protection class : 2
- IP : 65
- IK : 11+ / 80 joules
- Incandescent wire test 850° / 30 s
- Rated ambient operating temperature : 25° C
- Operating temperature range : -20 °C ... +35 °C
- VK 45 (wall and ceiling-mounted) / 22 (suspended)
- IRC : 80
- SDCM : 3
- Photobiological hazard : RG0
- Energy class C light source
- Lumen maintenance : L80B10 / over 72 000 h
- Lumen maintenance : L90B50 / 50 000 h
- Number of detector switching cycles: 1,000,000 at maximum load.
- Repairable luminaire. Spare parts available on demand
- 5-year guarantee, details of conditions available on securlite.com



Applications

- Architectural luminaire with 40° optics for indoor and outdoor environments subject to moderate vandalism
- Street lighting luminaire in surface mounted version
- Conditions of use :
 - UGR and GR to be confirmed for each lighting project
 - Version with detection : not recommended for outdoor use
 - Installation positions : refer to installation instructions

Material

- Aluminium alloy body
 - Metal alloy end caps and covers
 - Clear polycarbonate diffuser + 40° flow control optics
 - Plug-in terminal block
 - Gasket made of SEBS
- RoHS : the products contain no prohibited substances as defined in the European Directive 2011/65/UE and amendments

Colours / Finish

- Two-layer corrosion protection
- Standard colour : Grey RAL7016 fine texture

Wiring

- Supply terminal block : connector conductors
 - 1,5mm² (3G1.5mm² or 5G1.5mm² cable)
 - 2.5mm² (3G2.5mm² cable only)
- 1 input at one end via cable gland IP67 ISO M20 for cable Ø 6 to 12 mm max
- Not apparent quick power connection

Screws

- Locking of the light unit with two stainless steel safety screws Torx + Pin (M5 – Tx25)
- Locking of the end caps with two stainless steel security screws Torx + Pin (M4 – Tx20)

Facilities available

- Through wiring - (ex : 56xxxxxx**9101**)
- UV reinforced varnish or anti-graffiti – (ex : 56xxxxxx**9601**)
- Lareral cable entry - (ex : 56xxxxxx**9805**)
- Lateral cable entries with through-wiring – (ex : 56xxxxxx**9806**)

Tools *(to be ordered separatly)*

- Head insert Torx + Pin (screw M4 – TX20) - code : **98000036**
- Head insert Torx + Pin (screw M5 – TX25) - code : **98000012**
- Screwdriver insert holder – code : **98000005**
- Remote control for radio controlled version – code : **98000010**

Accessories *(to be ordered separatly)*

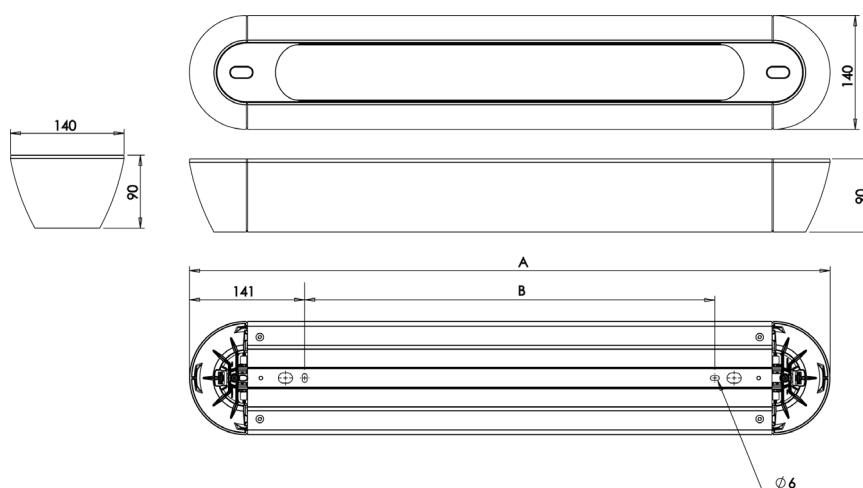
- Suspended mounting kit : **98540002**


Approvals

Certificates available :

- CE certificate (as per EN60598-1 / 2-1 / 2-3)
- Incandescent wire test certificate (depending on product)

Dimensions



A (mm)	B wall and ceiling-mounted version (mm)	B suspended version (mm)	 KG
1066	783	779	7,30 Kg
1346	1063	1059	8,90 Kg

Technical and dimensional data are given for information only and may be modified at any time without notice. Please enquire before ordering.

2

23/03/2024

Technical data and order codes

SYSTEO S CLEAR + 40° OPTICS							
Length L (mm)	CCT (K)	Power (W)	Power in standby (W)	Power factor	Luminaire output (lm)	Luminaire efficacy (lm/W)	Reference
1066	3000	9,1	-	0,75	1000	111	56141300
1066	4000	9,1	-	0,75	1050	117	56141400
1066	3000	14	-	0,85	1650	118	56111300
1066	4000	14	-	0,85	1750	125	56111400
1346	3000	19	-	0,90	2350	124	56121300
1346	4000	19	-	0,90	2450	129	56121400

SYSTEO S CLEAR + 40° OPTICS – slave version + extinction warning							
Length L (mm)	CCT (K)	Power (W)	Power in standby (W)	Power factor	Luminaire output (lm)	Luminaire efficacy (lm/W)	Reference
1066	3000	9,0	<0,20	0,75	1000	111	56141304
1066	4000	9,0	<0,20	0,75	1050	117	56141404
1066	3000	14	<0,20	0,85	1650	118	56111304
1066	4000	14	<0,20	0,85	1750	125	56111404
1346	3000	19	<0,20	0,90	2350	124	56121304
1346	4000	19	<0,20	0,90	2450	129	56121404

SYSTEO S CLEAR + 40° OPTICS – slave version + standby warning							
Length L (mm)	CCT (K)	Power (W)	Power in eco mode ⁽¹⁾ (W)	Power factor	Luminaire output (lm)	Luminaire efficacy (lm/W)	Reference
1066	3000	9,0	2,4	0,75	1000	111	56141305
1066	4000	9,0	2,4	0,75	1050	117	56141405
1066	3000	14	3,0	0,85	1650	118	56111305
1066	4000	14	3,0	0,85	1750	125	56111405
1346	3000	19	3,2	0,90	2350	124	56121305
1346	4000	19	3,2	0,90	2450	129	56121405

SYSTEO S CLEAR + 40° OPTICS – with Pro detection + radio-control							
Technical specifications and conditions of use for detection : www.securlite.com (NOT0420)							
Length L (mm)	CCT (K)	Power (W)	Power in standby (W)	Power factor	Luminaire output (lm)	Luminaire efficacy (lm/W)	Reference
1066	3000	10	<0,50	0,77	1000	100	56141316
1066	4000	10	<0,50	0,77	1050	105	56141416
1066	3000	15	<0,50	0,85	1650	110	56111316
1066	4000	15	<0,50	0,85	1750	117	56111416
1346	3000	20	<0,50	0,90	2350	118	56121316
1346	4000	20	<0,50	0,90	2450	123	56121416

SYSTEO S CLEAR + 40° OPTICS - DALI dimmable + switch dimming							
Technical specifications and conditions of use for dali : www.securlite.com (NOT0880)							
Length L (mm)	CCT (K)	Power (W)	Power in standby (W)	Power factor	Luminaire output (lm)	Luminaire efficacy (lm/W)	Reference
1066	3000	9,0	<0,20	0,75	1000	111	56141321
1066	4000	9,0	<0,20	0,75	1050	117	56141421
1066	3000	14	<0,20	0,85	1650	118	56111321
1066	4000	14	<0,20	0,85	1750	125	56111421
1346	3000	19	<0,20	0,90	2350	124	56121321
1346	4000	19	<0,20	0,90	2450	129	56121421

SYSTEO S CLEAR + 40° OPTICS – with Pro detection + radio-control + extinction warning							
Technical specifications and conditions of use for detection : www.securlite.com (NOT0420)							
Length L (mm)	CCT (K)	Power (W)	Power in standby (W)	Power factor	Luminaire output (lm)	Luminaire efficacy (lm/W)	Reference
1066	3000	10	<0,50	0,77	1000	100	56141344
1066	4000	10	<0,50	0,77	1050	117	56141444
1066	3000	15	<0,50	0,85	1650	110	56111344
1066	4000	15	<0,50	0,85	1750	117	56111444
1346	3000	20	<0,50	0,90	2350	118	56121344
1346	4000	20	<0,50	0,90	2450	123	56121444

Technical and dimensional data are given for information only and may be modified at any time without notice. Please enquire before ordering.

Technical data sheet

SYSTEO S CLEAR + 40° OPTICS – FT0319

Technical data and order codes

SYSTEO S CLEAR + 40° OPTICS – with Pro detection + radio-control + standby warning							
Technical specifications and conditions of use for detection : www.securlite.com (NOT0420)							
Length L (mm)	CCT (K)	Power (W)	Power in eco mode ⁽¹⁾ (W)	Power factor	Luminaire output (lm)	Luminaire efficacy (lm/W)	Reference
1066	3000	10	3,2	0,77	1000	100	56141345
1066	4000	10	3,2	0,77	1050	117	56141445
1066	3000	15	3,6	0,85	1650	110	56111345
1066	4000	15	3,6	0,85	1750	117	56111445
1346	3000	20	4,0	0,90	2350	118	56121345
1346	4000	20	4,0	0,90	2450	123	56121445

(1) : eco mode: operating mode with luminous flux reduced to 10% of nominal.

Operating instruction : www.securlite.com (NOT0890)