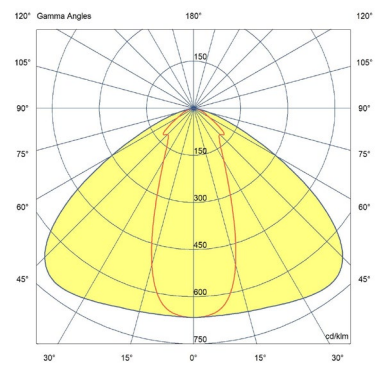




SYSTEO S CLEAR + 60° OPTICS

Features

- Input voltage : 220-240V AC, 50/60 Hz
- Input voltage range : 198-264 V AC
- Electrical protection class : 2
- IP : 65
- IK : 11+ / 80 joules
- Incandescent wire test 850° / 30 s
- Rated ambient operating temperature : 25° C
- Operating temperature range : -20 °C ... +35 °C
- VK 45 (wall and ceiling-mounted) / 22 (suspended)
- IRC : 80
- SDCM : 3
- Photobiological hazard : RG0
- Energy class C light source
- Lumen maintenance : L80B10 / over 72 000 h
- Lumen maintenance : L90B50 / 50 000 h
- Number of detector switching cycles: 1,000,000 at maximum load.
- Repairable luminaire. Spare parts available on demand
- 5-year guarantee, details of conditions available on securlite.com



Applications

- Architectural luminaire with 60° optics for indoor and outdoor environments subject to moderate vandalism
- Street lighting luminaire in surface mounted version
- Conditions of use :
 - UGR and GR to be confirmed for each lighting project
 - Version with detection : not recommended for outdoor use
 - Installation positions : refer to installation instructions

Material

- Aluminium alloy body
 - Metal alloy end caps and covers
 - Clear polycarbonate diffuser + 60° flow control optics
 - Plug-in terminal block
 - Gasket made of SEBS
- RoHS : the products contain no prohibited substances as defined in the European Directive 2011/65/UE and amendments

Colours / Finish

- Two-layer corrosion protection
- Standard colour : Grey RAL7016 fine texture

Technical and dimensional data are given for information only and may be modified at any time without notice. Please enquire before ordering.

05/01/2024

Wiring

- Supply terminal block : connector conductors
 - 1,5mm² (3G1.5mm² or 5G1.5mm² cable)
 - 2.5mm² (3G2.5mm² cable only)
- 1 input at one end via cable gland IP67 ISO M20 for cable Ø 6 to 12 mm max
- Not apparent quick power connection

Screws

- Locking of the light unit with two stainless steel safety screws Torx + Pin (M5 – Tx25)
- Locking of the end caps with two stainless steel security screws Torx + Pin (M4 – Tx20)

Facilities available

- Through wiring - (ex : 56xxxxxx**9101**)
- UV reinforced varnish or anti-graffiti – (ex : 56xxxxxx**9601**)
- Lareral cable entry - (ex : 56xxxxxx**9805**)
- Lateral cable entries with through-wiring – (ex : 56xxxxxx**9806**)

Tools *(to be ordered separatly)*

- Head insert Torx + Pin (screw M4 – TX20) - code : **98000036**
- Head insert Torx + Pin (screw M5 – TX25) - code : **98000012**
- Screwdriver insert holder – code : **98000005**
- Remote control for radio controlled version – code : **98000010**

Accessories *(to be ordered separatly)*

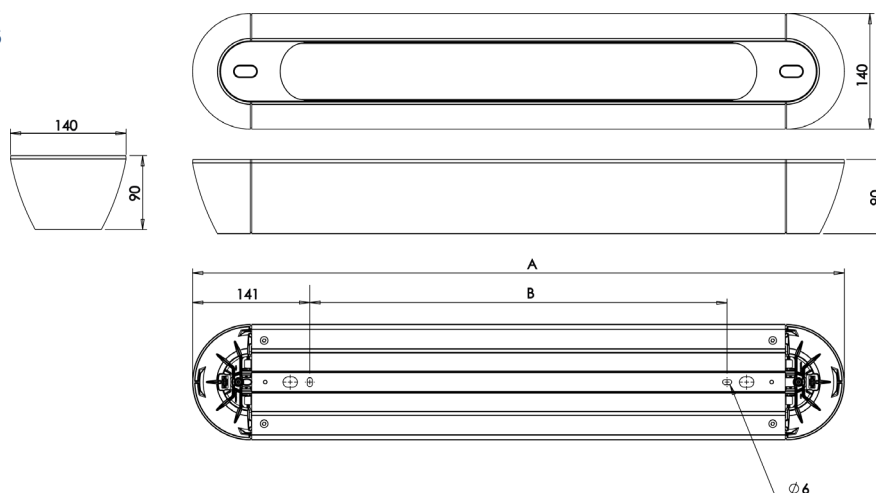
- Suspended mounting kit : **98540002**

Approvals

Certificates available :

- CE certificate (as per EN60598-1 / 2-1 / 2-3)
- Incandescent wire test certificate (depending on product)

Dimensions



A (mm)	B wall and ceiling-mounted version (mm)	B suspended version (mm)	KG
1066	783	779	7,30 Kg
1346	1063	1059	8,90 Kg

Technical and dimensional data are given for information only and may be modified at any time without notice. Please enquire before ordering.

Technical data sheet

SYSTEO S CLEAR + 60° OPTICS – FT0320

Technical data and order codes

SYSTEO S CLEAR + 60° OPTICS							
Length L (mm)	CCT (K)	Power (W)	Power in standby (W)	Power factor	Luminaire output (lm)	Luminaire efficacy (lm/W)	Reference
1066	3000	9,1	-	0,75	1000	111	56191300
1066	4000	9,1	-	0,75	1050	117	56191400
1066	3000	14	-	0,85	1650	118	56161300
1066	4000	14	-	0,85	1750	125	56161400
1346	3000	19	-	0,90	2350	124	56171300
1346	4000	19	-	0,90	2450	129	56171400

SYSTEO S CLEAR + 60° OPTICS – slave version + extinction warning							
Length L (mm)	CCT (K)	Power (W)	Power in standby (W)	Power factor	Luminaire output (lm)	Luminaire efficacy (lm/W)	Reference
1066	3000	9,0	<0,20	0,75	1000	111	56191304
1066	4000	9,0	<0,20	0,75	1050	117	56191404
1066	3000	14	<0,20	0,85	1650	118	56161304
1066	4000	14	<0,20	0,85	1750	125	56161404
1346	3000	19	<0,20	0,90	2350	124	56171304
1346	4000	19	<0,20	0,90	2450	129	56171404

SYSTEO S CLEAR + 60° OPTICS – slave version + standby warning							
Length L (mm)	CCT (K)	Power (W)	Power in eco mode ⁽¹⁾ (W)	Power factor	Luminaire output (lm)	Luminaire efficacy (lm/W)	Reference
1066	3000	9,0	2,4	0,75	1000	111	56191305
1066	4000	9,0	2,4	0,75	1050	117	56191405
1066	3000	14	3,0	0,85	1650	118	56161305
1066	4000	14	3,0	0,85	1750	125	56161405
1346	3000	19	3,2	0,90	2350	124	56171305
1346	4000	19	3,2	0,90	2450	129	56171405

SYSTEO S CLEAR + 60° OPTICS – with Pro detection + radio-control							
Technical specifications and conditions of use for detection : www.securlite.com (NOT0420)							
Length L (mm)	CCT (K)	Power (W)	Power in standby (W)	Power factor	Luminaire output (lm)	Luminaire efficacy (lm/W)	Reference
1066	3000	10	<0,50	0,75	1000	100	56191316
1066	4000	10	<0,50	0,75	1050	105	56191416
1066	3000	15	<0,50	0,85	1650	110	56161316
1066	4000	15	<0,50	0,85	1750	117	56161416
1346	3000	20	<0,50	0,90	2350	118	56171316
1346	4000	20	<0,50	0,90	2450	123	56171416

SYSTEO S CLEAR + 60° OPTICS - DALI dimmable + switch dimming							
Technical specifications and conditions of use for dali : www.securlite.com (NOT0880)							
Length L (mm)	CCT (K)	Power (W)	Power in standby (W)	Power factor	Luminaire output (lm)	Luminaire efficacy (lm/W)	Reference
1066	3000	9,0	<0,20	0,75	1000	111	56191321
1066	4000	9,0	<0,20	0,75	1050	117	56191421
1066	3000	14	<0,20	0,85	1650	118	56161321
1066	4000	14	<0,20	0,85	1750	125	56161421
1346	3000	19	<0,20	0,90	2350	124	56171321
1346	4000	19	<0,20	0,90	2450	129	56171421

SYSTEO S CLEAR + 60° OPTICS – with Pro detection + radio-control + extinction warning							
Technical specifications and conditions of use for detection : www.securlite.com (NOT0420)							
Length L (mm)	CCT (K)	Power (W)	Power in standby (W)	Power factor	Luminaire output (lm)	Luminaire efficacy (lm/W)	Reference
1066	3000	10	<0,50	0,77	1000	100	56191344
1066	4000	10	<0,50	0,77	1050	105	56191444
1066	3000	15	<0,50	0,85	1650	110	56161344
1066	4000	15	<0,50	0,85	1750	117	56161444
1346	3000	20	<0,50	0,90	2350	118	56171344
1346	4000	20	<0,50	0,90	2450	123	56171444

Technical and dimensional data are given for information only and may be modified at any time without notice. Please enquire before ordering.

Technical data sheet

SYSTEO S CLEAR + 60° OPTICS – FT0320

Technical data and order codes

SYSTEO S CLEAR + 60° OPTICS – with Pro detection + radio-control + standby warning							
Technical specifications and conditions of use for detection : www.securlite.com (NOT0420)							
Length L (mm)	CCT (K)	Power (W)	Power in eco mode ⁽¹⁾ (W)	Power factor	Luminaire output (lm)	Luminaire efficacy (lm/W)	Reference
1066	3000	10	3,2	0,77	1000	100	56191345
1066	4000	10	3,2	0,77	1050	105	56191445
1066	3000	15	3,6	0,85	1650	110	56161345
1066	4000	15	3,6	0,85	1750	117	56161445
1346	3000	20	4,0	0,90	2350	118	56171345
1346	4000	20	4,0	0,90	2450	123	56171445

(1) : eco mode: operating mode with luminous flux reduced to 10% of nominal.

Operating instruction : www.securlite.com (NOT0890)