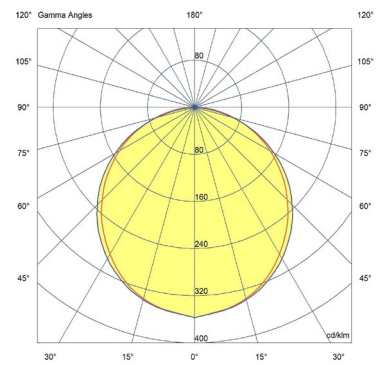


SYSTEO E OPALESCENT

Features

- Input voltage : 220-240V AC, 50/60 Hz
- Input voltage range : 198-264 V AC
- Electrical protection class : 2
- IP : 65
- IK : 11+ / 80 joules
- Incandescent wire test 850° / 30 s
- Rated ambient operating temperature : 25° C
- Operating temperature range : -20 °C ... +35 °C
- VK 45 (wall and ceiling-mounted)
- IRC : 80
- SDCM : 3
- Photobiological hazard : RG0
- Energy class C light source
- Lumen maintenance : L80B10 / over 72 000 h
- Lumen maintenance : L90B50 / 50 000 h
- Number of detector switching cycles: 1,000,000 at maximum load.
- Repairable luminaire. Spare parts available on demand
- 5-year guarantee, details of conditions available on securlite.com



Applications

- Architectural luminaire for indoor and outdoor environments subject to moderate vandalism
- Street lighting luminaire in surface mounted version
- Conditions of use :
 - Installation positions : refer to installation instructions
 - Version with detection : not recommended for outdoor use

Material

- Aluminium alloy body
 - Metal alloy end caps and covers
 - Opalescent polycarbonate diffuser
 - Plug-in terminal block
 - Gasket made of SEBS
- RoHS : the products contain no prohibited substances as defined in the European Directive 2011/65/UE and amendments

Colours / Finish

- Two-layer corrosion protection
- Standard colour : Grey RAL7016 fine texture

Wiring

- Supply terminal block : connector conductors
 - 1,5mm² (3G1.5mm² or 5G1.5mm² cable)
 - 2.5mm² (3G2.5mm² cable only)
- 1 input at one end via cable gland IP67 ISO M20 for cable Ø 6 to 12 mm max
- Not apparent quick power connection

Screws

- Locking of the light unit with two stainless steel safety screws Torx + Pin (M5 – Tx25)
- Locking of the end caps with two stainless steel security screws Torx + Pin (M4 – Tx20)

Facilities available

- Through wiring - (ex : 58xxxxxx**9101**)
- UV reinforced varnish or anti-graffiti – (ex : 58xxxxxx**9601**)
- Lareral cable entry - (ex : 58xxxxxx**9805**)
- Lateral cable entries with through-wiring – (ex : 58xxxxxx**9806**)

Tools *(to be ordered separatly)*

- Head insert Torx + Pin (screw M4 – TX20) - code : **98000036**
- Head insert Torx + Pin (screw M5 – TX25) - code : **98000012**
- Screwdriver insert holder – code : **98000005**
- Remote control for radio controlled version – code : **98000010**

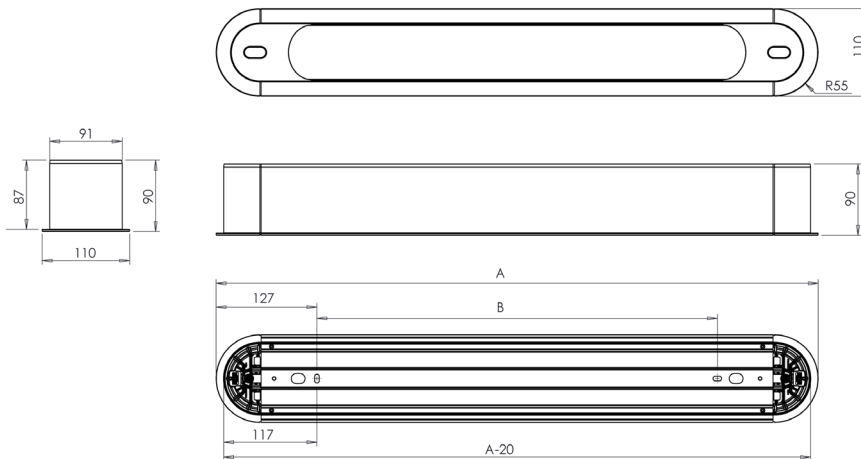
Approvals


Certificates available :

- CE certificate (as per EN60598-1 / 2-1 / 2-3)

Incandescent wire test certificate (depending on product)

Dimensions



Version	Lenght A (mm)	Mounting distance B (mm)	 KG
Unit 891	1036	783	5.75 Kg
Unit 1171	1316	1063	7.00 Kg

Technical and dimensional data are given for information only and may be modified at any time without notice. Please enquire before ordering.

Technical data and order codes

SYSTEO E OPALESCENT							
Length L (mm)	CCT (K)	Power (W)	Power in standby (W)	Power factor	Luminaire output (lm)	Luminaire efficacy (lm/W)	Reference
1066	3000	3000	9,1	-	0,75	800	58081300
1066	4000	4000	9,1	-	0,75	850	58081400
1036	3000	3000	14	-	0,85	1350	58021300
1036	4000	4000	14	-	0,85	1400	58021400
1036	3000	3000	26	-	0,90	2600	58031300
1036	4000	4000	26	-	0,90	2700	58031400
1316	3000	3000	19	-	0,90	1900	58041300
1316	4000	4000	19	-	0,90	1950	58041400
1316	3000	3000	37	-	0,95	3650	58051300
1316	4000	4000	37	-	0,95	3800	58051400

SYSTEO E OPALESCENT – slave version + extinction warning							
Length L (mm)	CCT (K)	Power (W)	Power in standby (W)	Power factor	Luminaire output (lm)	Luminaire efficacy (lm/W)	Reference
1066	3000	9,0	<0,20	0,75	800	89	58081304
1066	4000	9,0	<0,20	0,75	850	97	58081404
1036	3000	14	<0,20	0,85	1350	96	58021304
1036	4000	14	<0,20	0,85	1400	100	58021404
1036	3000	26	<0,20	0,95	2600	100	58031304
1036	4000	26	<0,20	0,95	2700	104	58031404
1316	3000	19	<0,20	0,90	1900	100	58041304
1316	4000	19	<0,20	0,90	1950	103	58041404
1316	3000	37	<0,20	0,95	3650	99	58051304
1316	4000	37	<0,20	0,95	3800	103	58051404

SYSTEO E OPALESCENT – slave version + standby warning							
Length L (mm)	CCT (K)	Power (W)	Power in eco mode ⁽¹⁾ (W)	Power factor	Luminaire output (lm)	Luminaire efficacy (lm/W)	Reference
1066	3000	9,0	2,4	0,75	800	89	58081305
1066	4000	9,0	2,4	0,75	850	97	58081405
1036	3000	14	2,8	0,85	1350	96	58021305
1036	4000	14	2,8	0,85	1400	100	58021405
1036	3000	26	3,9	0,95	2600	100	58031305
1036	4000	26	3,9	0,95	2700	104	58031405
1316	3000	19	3,2	0,90	1900	100	58041305
1316	4000	19	3,2	0,90	1950	103	58041405
1316	3000	37	4,7	0,95	3650	99	58051305
1316	4000	37	4,7	0,95	3800	103	58051405

SYSTEO E OPALESCENT – with Pro detection + radio-control							
Technical specifications and conditions of use for detection : www.securlite.com (NOT0420)							
Length L (mm)	CCT (K)	Power (W)	Power in standby (W)	Power factor	Luminaire output (lm)	Luminaire efficacy (lm/W)	Reference
1066	3000	10	<0,50	0,77	800	80	58081316
1066	4000	10	<0,50	0,77	850	85	58081416
1036	3000	15	<0,50	0,80	1350	90	58021316
1036	4000	15	<0,50	0,80	1400	93	58021416
1036	3000	27	<0,50	0,90	2600	96	58031316
1036	4000	27	<0,50	0,90	2700	100	58031416
1316	3000	20	<0,50	0,90	1900	95	58041316
1316	4000	20	<0,50	0,90	1950	98	58041416
1316	3000	38	<0,50	0,95	3650	96	58051316
1316	4000	38	<0,50	0,95	3800	100	58051416

Technical and dimensional data are given for information only and may be modified at any time without notice. Please enquire before ordering.

Technical data and order codes

SYSTEO E OPALESCENT - DALI dimmable + switch dimming Technical specifications and conditions of use for dali : www.securlite.com (NOT0880)							
Length L (mm)	CCT (K)	Power (W)	Power in standby (W)	Power factor	Luminaire output (lm)	Luminaire efficacy (lm/W)	Reference
1066	3000	9	<0,20	0,75	800	89	58081321
1066	4000	9	<0,20	0,75	850	97	58081421
1036	3000	14	<0,20	0,85	1350	96	58021321
1036	4000	14	<0,20	0,85	1400	100	58021421
1036	3000	26	<0,20	0,95	2600	100	58031321
1036	4000	26	<0,20	0,95	2700	104	58031421
1316	3000	19	<0,20	0,90	1900	100	58041321
1316	4000	19	<0,20	0,90	1950	103	58041421
1316	3000	37	<0,20	0,95	3650	99	58051321
1316	4000	37	<0,20	0,95	3800	103	58051421

SYSTEO E OPALESCENT – with Pro detection + radio-control + extinction warning Technical specifications and conditions of use for detection : www.securlite.com (NOT0420)							
Length L (mm)	CCT (K)	Power (W)	Power in standby (W)	Power factor	Luminaire output (lm)	Luminaire efficacy (lm/W)	Reference
1066	3000	10	<0,50	0,77	800	80	58081344
1066	4000	10	<0,50	0,77	850	85	58081444
1036	3000	15	<0,50	0,85	1350	90	58021344
1036	4000	15	<0,50	0,85	1400	93	58021444
1036	3000	27	<0,50	0,95	2600	96	58031344
1036	4000	27	<0,50	0,95	2700	100	58031444
1316	3000	20	<0,50	0,90	1900	95	58041344
1316	4000	20	<0,50	0,90	1950	98	58041444
1316	3000	38	<0,50	0,95	3650	96	58051344
1316	4000	38	<0,50	0,95	3800	100	58051444

SYSTEO E OPALESCENT – with Pro detection + radio-control + standby warning Technical specifications and conditions of use for detection : www.securlite.com (NOT0420)							
Length L (mm)	CCT (K)	Power (W)	Power in eco mode ⁽¹⁾ (W)	Power factor	Luminaire output (lm)	Luminaire efficacy (lm/W)	Reference
1066	3000	10	3,2	0,77	800	80	58081345
1066	4000	10	3,2	0,77	850	85	58081445
1036	3000	15	3,6	0,85	1350	90	58021345
1036	4000	15	3,6	0,85	1400	93	58021445
1036	3000	27	4,7	0,95	2600	96	58031345
1036	4000	27	4,7	0,95	2700	100	58031445
1316	3000	20	4,0	0,90	1900	95	58041345
1316	4000	20	4,0	0,90	1950	98	58041445
1316	3000	38	5,5	0,95	3650	96	58051345
1316	4000	38	5,5	0,95	3800	100	58051445

(1) : eco mode: operating mode with luminous flux reduced to 10% of nominal.

Operating instruction : www.securlite.com (NOT0890)