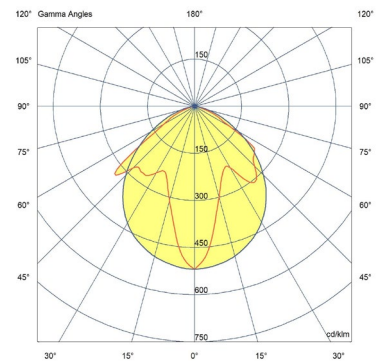


SYSTEO E CLEAR + 40° OPTICS

Features

- Input voltage : 220-240V AC, 50/60 Hz
- Input voltage range : 198-264 V AC
- Electrical protection class : 2
- IP : 65
- IK : 11+ / 80 joules
- Incandescent wire test 850° / 30 s
- Rated ambient operating temperature : 25° C
- Operating temperature range : -20 °C ... +35 °C
- VK 45 (wall and ceiling-mounted)
- IRC : 80
- SDCM : 3
- Photobiological hazard : RG0
- Energy class C light source
- Lumen maintenance : L80B10 / over 72 000 h
- Lumen maintenance : L90B50 / 50 000 h
- Number of detector switching cycles: 1,000,000 at maximum load.
- Repairable luminaire. Spare parts available on demand
- 5-year guarantee, details of conditions available on securlite.com



Applications

- Architectural luminaire with 40° optics for indoor and outdoor environments subject to moderate vandalism
- Street lighting luminaire in surface mounted version
- Conditions of use :
 - UGR and GR to be confirmed for each lighting project
 - Version with detection : not recommended for outdoor use
 - Installation positions : refer to installation instructions

Material

- Aluminium alloy body
 - Metal alloy end caps and covers
 - Clear polycarbonate diffuser + 40° flow control optics
 - Plug-in terminal block
 - Gasket made of SEBS
- RoHS : the products contain no prohibited substances as defined in the European Directive 2011/65/UE and amendments

Colours / Finish

- Two-layer corrosion protection
- Standard colour : Grey RAL7016 fine texture

Wiring

- Supply terminal block : connector conductors
 - 1,5mm² (3G1.5mm² or 5G1.5mm² cable)
 - 2.5mm² (3G2.5mm² cable only)
- 1 input at one end via cable gland IP67 ISO M20 for cable Ø 6 to 12 mm max
- Not apparent quick power connection

Screws

- Locking of the light unit with two stainless steel safety screws Torx + Pin (M5 – Tx25)
- Locking of the end caps with two stainless steel security screws Torx + Pin (M4 – Tx20)

Facilities available

- Through wiring - (ex : 58xxxxxx**9101**)
- UV reinforced varnish or anti-graffiti – (ex : 58xxxxxx**9601**)
- Lareral cable entry - (ex : 58xxxxxx**9805**)
- Lateral cable entries with through-wiring – (ex : 58xxxxxx**9806**)

Tools *(to be ordered separatly)*

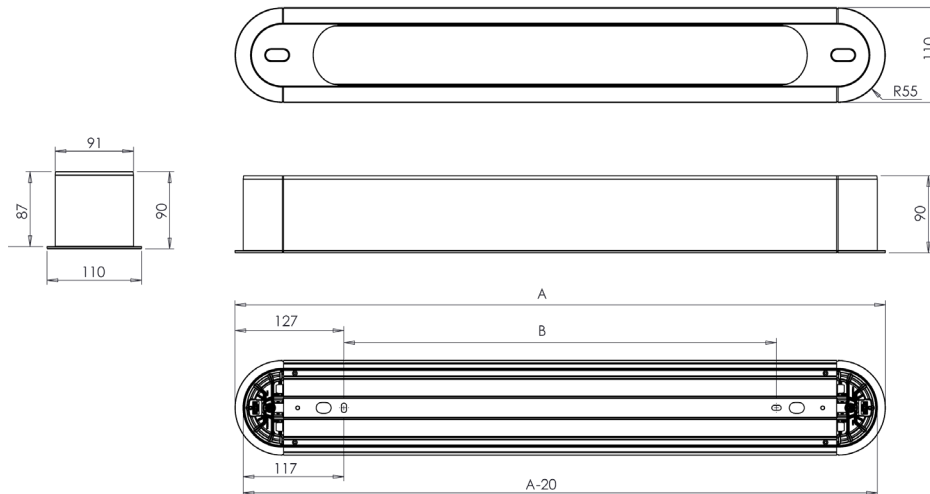
- Head insert Torx + Pin (screw M4 – TX20) - code : **98000036**
- Head insert Torx + Pin (screw M5 – TX25) - code : **98000012**
- Screwdriver insert holder – code : **98000005**
- Remote control for radio controlled version – code : **98000010**

Approvals

Certificates available :

- CE certificate (as per EN60598-1 / 2-1 / 2-3)
- Incandescent wire test certificate (depending on product)

Dimensions



A (mm)	Mounting distance B (mm)	B suspended version (mm)	KG
1036	783	779	5,75 Kg
1316	1063	1059	7,00 Kg

Technical and dimensional data are given for information only and may be modified at any time without notice. Please enquire before ordering. 2

05/01/2024

Technical data sheet

SYSTEO E CLEAR + 40° OPTICS – FT0333

Technical data and order codes

SYSTEO E CLEAR + 40° OPTICS							
Length L (mm)	CCT (K)	Power (W)	Power in standby (W)	Power factor	Luminaire output (lm)	Luminaire efficacy (lm/W)	Reference
1036	3000	9,1	-	0,75	1000	111	58141300
1036	4000	9,1	-	0,75	1050	117	58141400
1036	3000	14	-	0,85	1650	118	58111300
1036	4000	14	-	0,85	1750	125	58111400
1316	3000	19	-	0,90	2350	124	58121300
1316	4000	19	-	0,90	2450	129	58121400

SYSTEO E CLEAR + 40° OPTICS – slave version + extinction warning							
Length L (mm)	CCT (K)	Power (W)	Power in standby (W)	Power factor	Luminaire output (lm)	Luminaire efficacy (lm/W)	Reference
1036	3000	9,0	<0,20	0,75	1000	111	58141304
1036	4000	9,0	<0,20	0,75	1050	117	58141404
1036	3000	14	<0,20	0,85	1650	118	58111304
1036	4000	14	<0,20	0,85	1750	125	58111404
1316	3000	19	<0,20	0,90	2350	124	58121304
1316	4000	19	<0,20	0,90	2450	129	58121404

SYSTEO E CLEAR + 40° OPTICS – slave version + standby warning							
Length L (mm)	CCT (K)	Power (W)	Power in eco mode ⁽¹⁾ (W)	Power factor	Luminaire output (lm)	Luminaire efficacy (lm/W)	Reference
1036	3000	9,0	2,4	0,75	1000	111	58141305
1036	4000	9,0	2,4	0,75	1050	117	58141405
1036	3000	14	3,0	0,85	1650	118	58111305
1036	4000	14	3,0	0,85	1750	125	58111405
1316	3000	19	3,2	0,90	2350	124	58121305
1316	4000	19	3,2	0,90	2450	129	58121405

SYSTEO E CLEAR + 40° OPTICS – with Pro detection + radio-control Technical specifications and conditions of use for detection : www.securlite.com (NOT0420)							
Length L (mm)	CCT (K)	Power (W)	Power in standby (W)	Power factor	Luminaire output (lm)	Luminaire efficacy (lm/W)	Reference
1036	3000	10	<0,50	0,77	1000	100	58141316
1036	4000	10	<0,50	0,77	1050	105	58141416
1036	3000	15	<0,50	0,85	1650	110	58111316
1036	4000	15	<0,50	0,85	1750	117	58111416
1316	3000	20	<0,50	0,90	2350	118	58121316
1316	4000	20	<0,50	0,90	2450	123	58121416

SYSTEO E CLEAR + 40° OPTICS - DALI dimmable + switch dimming Technical specifications and conditions of use for dali : www.securlite.com (NOT0880)							
Length L (mm)	CCT (K)	Power (W)	Power in standby (W)	Power factor	Luminaire output (lm)	Luminaire efficacy (lm/W)	Reference
1036	3000	9,0	<0,20	0,75	1000	111	58141321
1036	4000	9,0	<0,20	0,75	1050	117	58141421
1036	3000	14	<0,20	0,85	1650	118	58111321
1036	4000	14	<0,20	0,85	1750	125	58111421
1316	3000	19	<0,20	0,90	2350	124	58121321
1316	4000	19	<0,20	0,90	2450	129	58121421

SYSTEO E CLEAR + 40° OPTICS – with Pro detection + radio-control + extinction warning Technical specifications and conditions of use for detection : www.securlite.com (NOT0420)							
Length L (mm)	CCT (K)	Power (W)	Power in standby (W)	Power factor	Luminaire output (lm)	Luminaire efficacy (lm/W)	Reference
1036	3000	10	<0,50	0,77	1000	100	58141344
1036	4000	10	<0,50	0,77	1050	105	58141444
1036	3000	15	<0,50	0,85	1650	110	58111344
1036	4000	15	<0,50	0,85	1750	117	58111444
1316	3000	20	<0,50	0,90	2350	118	58121344
1316	4000	20	<0,50	0,90	2450	123	58121444

Technical and dimensional data are given for information only and may be modified at any time without notice. Please enquire before ordering. 3

05/01/2024

Technical data sheet

SYSTEO E CLEAR + 40° OPTICS – FT0333

Technical data and order codes

SYSTEO E CLEAR + 40° OPTICS – with Pro detection + radio-control + standby warning							
Technical specifications and conditions of use for detection : www.securlite.com (NOT0420)							
Length L (mm)	CCT (K)	Power (W)	Power in eco mode ⁽¹⁾ (W)	Power factor	Luminaire output (lm)	Luminaire efficacy (lm/W)	Reference
1036	3000	10	3,2	0,77	1000	100	58141345
1036	4000	10	3,2	0,77	1050	105	58141445
1036	3000	15	3,6	0,85	1650	110	58111345
1036	4000	15	3,6	0,85	1750	117	58111445
1316	3000	20	4,0	0,90	2350	118	58121345
1316	4000	20	4,0	0,90	2450	123	58121445

(1) : eco mode: operating mode with luminous flux reduced to 10% of nominal.

Operating instruction : www.securlite.com (NOT0890)