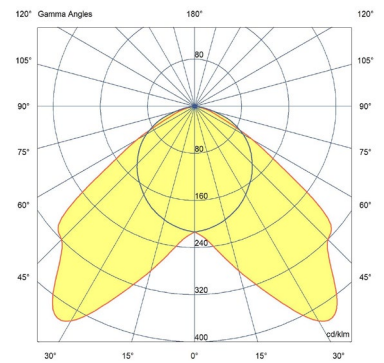


SYSTEO E

CLEAR + BATWING OPTICS

Features

- Input voltage : 220-240V AC, 50/60 Hz
- Input voltage range : 198-264 V AC
- Electrical protection class : 2
- IP : 65
- IK : 11+ / 80 joules
- Incandescent wire test 850° / 30 s
- Rated ambient operating temperature : 25° C
- Operating temperature range : -20 °C ... +35 °C
- VK 45 (wall and ceiling-mounted)
- IRC : 80
- SDCM : 3
- Photobiological hazard : RG0
- Energy class C light source
- Lumen maintenance : L80B10 / over 72 000 h
- Lumen maintenance : L90B50 / 50 000 h
- Number of detector switching cycles: 1,000,000 at maximum load.
- Repairable luminaire. Spare parts available on demand
- 5-year guarantee, details of conditions available on securlite.com



Applications

- Architectural luminaire with batwing optics for indoor and outdoor environments subject to moderate vandalism
- Street lighting luminaire in surface mounted version
- Conditions of use :
 - UGR and GR to be confirmed for each lighting project
 - Version with detection : not recommended for outdoor use
 - Installation positions : refer to installation instructions

Material

- Aluminium alloy body
 - Metal alloy end caps and covers
 - Clear polycarbonate diffuser + batwing flow control optics
 - Plug-in terminal block
 - Gasket made of SEBS
- RoHS : the products contain no prohibited substances as defined in the European Directive 2011/65/UE and amendments

Colours / Finish

- Two-layer corrosion protection
- Standard colour : Grey RAL7016 fine texture

Technical and dimensional data are given for information only and may be modified at any time without notice. Please enquire before ordering.

1

05/01/2024

Wiring

- Supply terminal block : connector conductors
 - 1,5mm² (3G1.5mm² or 5G1.5mm² cable)
 - 2.5mm² (3G2.5mm² cable only)
- 1 input at one end via cable gland IP67 ISO M20 for cable Ø 6 to 12 mm max
- Not apparent quick power connection

Screws

- Locking of the light unit with two stainless steel safety screws Torx + Pin (M5 – Tx25)
- Locking of the end caps with two stainless steel security screws Torx + Pin (M4 – Tx20)

Facilities available

- Through wiring - (ex : 58xxxxxx**9101**)
- UV reinforced varnish or anti-graffiti – (ex : 58xxxxxx**9601**)
- Lareral cable entry - (ex : 58xxxxxx**9805**)
- Lateral cable entries with through-wiring – (ex : 58xxxxxx**9806**)

Tools *(to be ordered separatly)*

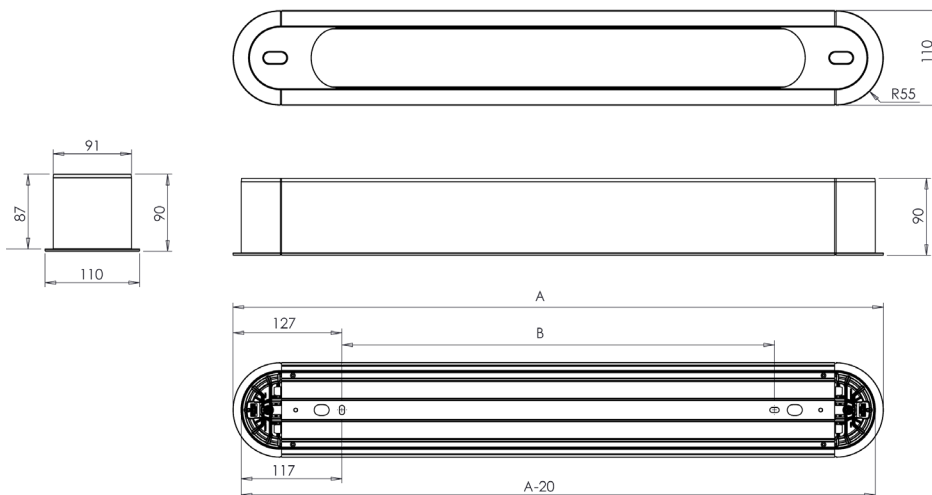
- Head insert Torx + Pin (screw M4 – TX20) - code : **98000036**
- Head insert Torx + Pin (screw M5 – TX25) - code : **98000012**
- Screwdriver insert holder – code : **98000005**
- Remote control for radio controlled version – code : **98000010**

Approvals

Certificates available :

- CE certificate (as per EN60598-1 / 2-1 / 2-3)
- Incandescent wire test certificate (depending on product)

Dimensions



A (mm)	Mounting distance B (mm)	B suspended version (mm)	KG
1036	783	779	5,75 Kg
1316	1063	1059	7,00 Kg

Technical and dimensional data are given for information only and may be modified at any time without notice. Please enquire before ordering.

Technical data and order codes

SYSTEO E CLEAR + BATWING OPTICS							
Length L (mm)	CCT (K)	Power (W)	Power in standby (W)	Power factor	Luminaire output (lm)	Luminaire efficacy (lm/W)	Reference
1036	3000	9,1	-	0,75	1000	111	58291300
1036	4000	9,1	-	0,75	1050	117	58291400
1036	3000	14	-	0,85	1600	114	58261300
1036	4000	14	-	0,85	1700	121	58261400
1316	3000	19	-	0,90	2250	124	58271300
1316	4000	19	-	0,90	2350	129	58271400

SYSTEO E CLEAR + BATWING OPTICS – slave version + extinction warning							
Length L (mm)	CCT (K)	Power (W)	Power in standby (W)	Power factor	Luminaire output (lm)	Luminaire efficacy (lm/W)	Reference
1036	3000	9,0	<0,20	0,75	1000	111	58291304
1036	4000	9,0	<0,20	0,75	1050	117	58291404
1036	3000	14	<0,20	0,85	1600	114	58261304
1036	4000	14	<0,20	0,85	1700	121	58261404
1316	3000	19	<0,20	0,90	2250	124	58271304
1316	4000	19	<0,20	0,90	2350	129	58271404

SYSTEO E CLEAR + BATWING OPTICS – slave version + standby warning							
Length L (mm)	CCT (K)	Power (W)	Power in eco mode ⁽¹⁾ (W)	Power factor	Luminaire output (lm)	Luminaire efficacy (lm/W)	Reference
1036	3000	9,0	2,4	0,75	1000	111	58291305
1036	4000	9,0	2,4	0,75	1050	117	58291405
1036	3000	14	3,0	0,85	1600	114	58261305
1036	4000	14	3,0	0,85	1700	121	58261405
1316	3000	19	3,2	0,90	2250	124	58271305
1316	4000	19	3,2	0,90	2350	129	58271405

SYSTEO E CLEAR + BATWING OPTICS – with Pro detection + radio-control							
Technical specifications and conditions of use for detection : www.securlite.com (NOT0420)							
Length L (mm)	CCT (K)	Power (W)	Power in standby (W)	Power factor	Luminaire output (lm)	Luminaire efficacy (lm/W)	Reference
1036	3000	10	<0,50	0,77	1000	100	58291316
1036	4000	10	<0,50	0,77	1050	105	58291416
1036	3000	15	<0,50	0,85	1600	114	58261316
1036	4000	15	<0,50	0,85	1700	121	58261416
1316	3000	20	<0,50	0,90	2250	118	58271316
1316	4000	20	<0,50	0,90	2350	123	58271416

SYSTEO E CLEAR + BATWING OPTICS - DALI dimmable + switch dimming							
Technical specifications and conditions of use for dali : www.securlite.com (NOT0880)							
Length L (mm)	CCT (K)	Power (W)	Power in standby (W)	Power factor	Luminaire output (lm)	Luminaire efficacy (lm/W)	Reference
1036	3000	9,0	<0,20	0,75	1000	111	58291321
1036	4000	9,0	<0,20	0,75	1050	117	58291421
1036	3000	14	<0,20	0,85	1600	114	58261321
1036	4000	14	<0,20	0,85	1700	121	58261421
1316	3000	19	<0,20	0,90	2250	124	58271321
1316	4000	19	<0,20	0,90	2350	129	58271421

SYSTEO E CLEAR + BATWING OPTICS – with Pro detection + radio-control + extinction warning							
Technical specifications and conditions of use for detection : www.securlite.com (NOT0420)							
Length L (mm)	CCT (K)	Power (W)	Power in standby (W)	Power factor	Luminaire output (lm)	Luminaire efficacy (lm/W)	Reference
1036	3000	10	<0,50	0,77	1000	100	58291344
1036	4000	10	<0,50	0,77	1050	105	58291444
1036	3000	15	<0,50	0,85	1600	114	58261344
1036	4000	15	<0,50	0,85	1700	121	58261444
1316	3000	20	<0,50	0,90	2250	118	58271344
1316	4000	20	<0,50	0,90	2350	123	58271444

Technical and dimensional data are given for information only and may be modified at any time without notice. Please enquire before ordering.

Technical data and order codes

SYSTEO E CLEAR + BATWING OPTICS – with Pro detection + radio-control + standby warning							
Technical specifications and conditions of use for detection : www.securlite.com (NOT0420)							
Length L (mm)	CCT (K)	Power (W)	Power in eco mode ⁽¹⁾ (W)	Power factor	Luminaire output (lm)	Luminaire efficacy (lm/W)	Reference
1036	3000	10	3,2	0,77	1000	100	58291345
1036	4000	10	3,2	0,77	1050	105	58291445
1036	3000	15	3,6	0,85	1600	114	58261345
1036	4000	15	3,6	0,85	1700	121	58261445
1316	3000	20	4,0	0,90	2250	118	58271345
1316	4000	20	4,0	0,90	2350	123	58271445

(1) : eco mode: operating mode with luminous flux reduced to 10% of nominal.

Operating instruction : www.securlite.com (NOT0890)