



Features

- Input voltage : 220-240 V AC, 50/60 Hz
- Input voltage range : 198-264 V AC
- Electrical protection class II
- IP : 55
- IK : 10 / 20 joules
- Incandescent wire test 850 °C / 30 s
- Rated ambient temperature: 25° C
- Operating temperature range : -20 °C ... +35 °C
- VK25 surface mounted, VK25 ceiling mounted
- CRI: 80
- SDCM (Standard Deviation Colour Matching): 3
- Photobiological hazard: RG0
- Energy class C light source
- Lumen maintenance: L80B10 : > 72 000h

Applications

- Architectural luminaire for environment subject to moderate vandalism
- Conditions of use:
- Installation positions: refer to installation instructions

Material

- Mount: recycled polycarbonate
- Base: recycled polycarbonate
- Bezel: recycled polycarbonate
- Diffuser: polycarbonate
- RoHS : the products contain no prohibited substances as defined in the European Directive 2011/65/UE and amendments

Colours / Finish

- Colour: white RAL9003, black RAL9005 or grey RAL7035

Fixing

- Diffuser: retained by 3 x stainless M5 2-point tamper-proof screws with sealing washers, or pozidriv depending on the version

Facilities available

- Stainless crosspoint screws: add the suffix **9702** to the product code - (example: 190xxxxx **9702**)

Tools *(to be ordered separately)*

- M5 bit for 2-point tamper-proof screws – code : **98000003**
- Bit-holder screwdriver– code : **98000005**

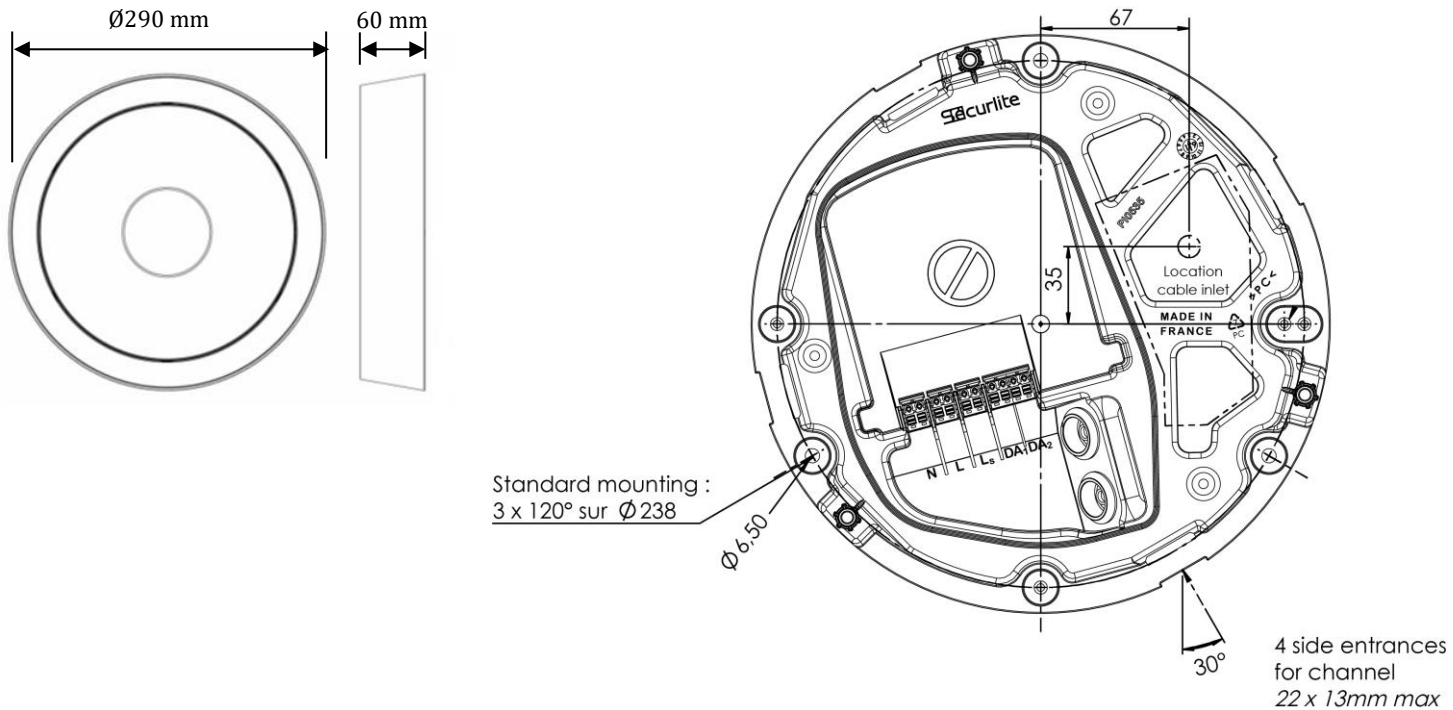
Technical and dimensional data are given for information only and may be modified at any time without notice. Please enquire before ordering.

Approvals

Certificates available:

- CE certificate (as per EN60598-1 / 2-1)
- Incandescent Wire Test certificate (depending on products)

Dimensions



Features table

Variante	On-off	Warning	Motion detection	Twilight switching	Switch-Dim	Daisy-chaining	Wireless chaining	Setting via smartphone
slave ⁽¹⁾	✓	✓			✓	✓	✓	✓
twilight ⁽¹⁾	✓	✓		✓	✓	✓	✓	✓
detection ⁽¹⁾	✓	✓	✓	✓	✓	✓	✓	✓

(1) Functionality setting via the Lumicare application

Technical and dimensional data are given for information only and may be modified at any time without notice. Please enquire before ordering.

12/04/2023

Technical data and order codes

CAPTAIN detection								
Designation	Colour	CCT (K)	Power (W)	Power factor	Power in stand-by (W)	Luminaire light output (lm)	Luminaire efficacy (lm/W)	Code
CAPTAIN 2000	White	3000	12	0,85	0,46	1500	125	19110357
CAPTAIN 2000	White	4000	12	0,85	0,46	1550	129	19110457
CAPTAIN 2600	White	3000	15	0,90	0,46	1900	127	19120357
CAPTAIN 2600	White	4000	15	0,90	0,46	1950	130	19120457
CAPTAIN 3600	White	3000	21	0,94	0,46	2650	126	19130357
CAPTAIN 3600	White	4000	21	0,94	0,46	2750	131	19130457
CAPTAIN 2000	Grey	3000	12	0,85	0,46	1400	117	19111357
CAPTAIN 2000	Grey	4000	12	0,85	0,46	1450	121	19111457
CAPTAIN 2600	Grey	3000	15	0,90	0,46	1800	120	19121357
CAPTAIN 2600	Grey	4000	15	0,90	0,46	1850	123	19121457
CAPTAIN 3600	Grey	3000	21	0,94	0,46	2500	110	19131357
CAPTAIN 3600	Grey	4000	21	0,94	0,46	2600	124	19131457
CAPTAIN 2000	Black	3000	12	0,85	0,46	1300	108	19112357
CAPTAIN 2000	Black	4000	12	0,85	0,46	1350	113	19112457
CAPTAIN 2600	Black	3000	15	0,90	0,46	1650	110	19122357
CAPTAIN 2600	Black	4000	15	0,90	0,46	1700	113	19122457
CAPTAIN 3600	Black	3000	21	0,94	0,46	2300	110	19132357
CAPTAIN 3600	Black	4000	21	0,94	0,46	2400	114	19132457

CAPTAIN twilight								
Designation	Colour	CCT (K)	Power (W)	Power factor	Power in stand-by (W)	Luminaire light output (lm)	Luminaire efficacy (lm/W)	Code
CAPTAIN 2000	White	3000	12	0,85	0,20	1500	125	19110355
CAPTAIN 2000	White	4000	12	0,85	0,20	1550	129	19110455
CAPTAIN 2600	White	3000	15	0,90	0,20	1900	127	19120355
CAPTAIN 2600	White	4000	15	0,90	0,20	1950	130	19120455
CAPTAIN 3600	White	3000	21	0,94	0,20	2650	126	19130355
CAPTAIN 3600	White	4000	21	0,94	0,20	2750	131	19130455
CAPTAIN 2000	Grey	3000	12	0,85	0,20	1400	117	19111355
CAPTAIN 2000	Grey	4000	12	0,85	0,20	1450	121	19111455
CAPTAIN 2600	Grey	3000	15	0,90	0,20	1800	120	19121355
CAPTAIN 2600	Grey	4000	15	0,90	0,20	1850	123	19121455
CAPTAIN 3600	Grey	3000	21	0,94	0,20	2500	110	19131355
CAPTAIN 3600	Grey	4000	21	0,94	0,20	2600	124	19131455
CAPTAIN 2000	Black	3000	12	0,85	0,20	1300	108	19112355
CAPTAIN 2000	Black	4000	12	0,85	0,20	1350	113	19112455
CAPTAIN 2600	Black	3000	15	0,90	0,20	1650	110	19122355
CAPTAIN 2600	Black	4000	15	0,90	0,20	1700	113	19122455
CAPTAIN 3600	Black	3000	21	0,94	0,20	2300	110	19132355
CAPTAIN 3600	Black	4000	21	0,94	0,20	2400	114	19132455

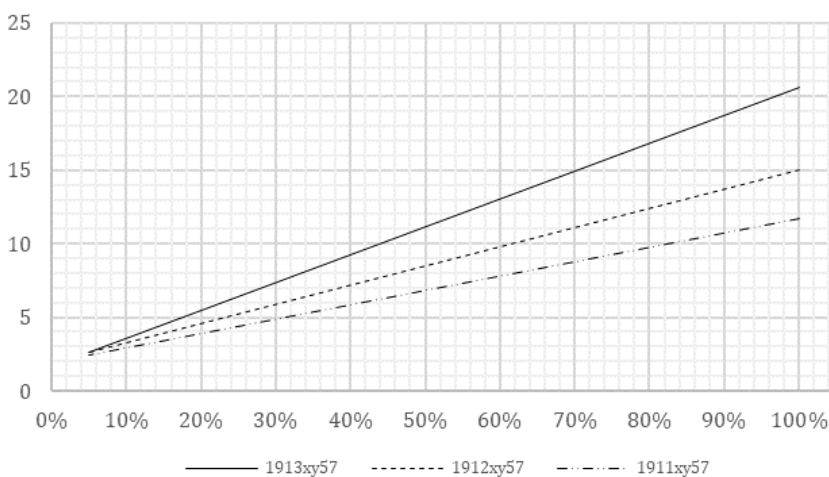
Technical and dimensional data are given for information only and may be modified at any time without notice. Please enquire before ordering.

12/04/2023

CAPTAIN slave								
Designation	Colour	CCT (K)	Power (W)	Power factor	Power in stand-by (W)	Luminaire light output (lm)	Luminaire efficacy (lm/W)	Code
CAPTAIN 2000	White	3000	12	0,85	-	1500	125	19110353
CAPTAIN 2000	White	4000	12	0,85	-	1550	129	19110453
CAPTAIN 2600	White	3000	15	0,90	-	1900	127	19120353
CAPTAIN 2600	White	4000	15	0,90	-	1950	130	19120453
CAPTAIN 3600	White	3000	21	0,94	-	2650	126	19130353
CAPTAIN 3600	White	4000	21	0,94	-	2750	131	19130453
CAPTAIN 2000	Grey	3000	12	0,85	-	1400	117	19111353
CAPTAIN 2000	Grey	4000	12	0,85	-	1450	121	19111453
CAPTAIN 2600	Grey	3000	15	0,90	-	1800	120	19121353
CAPTAIN 2600	Grey	4000	15	0,90	-	1850	123	19121453
CAPTAIN 3600	Grey	3000	21	0,94	-	2500	110	19131353
CAPTAIN 3600	Grey	4000	21	0,94	-	2600	124	19131453
CAPTAIN 2000	Black	3000	12	0,85	-	1300	108	19112353
CAPTAIN 2000	Black	4000	12	0,85	-	1350	113	19112453
CAPTAIN 2600	Black	3000	15	0,90	-	1650	110	19122353
CAPTAIN 2600	Black	4000	15	0,90	-	1700	113	19122453
CAPTAIN 3600	Black	3000	21	0,94	-	2300	110	19132353
CAPTAIN 3600	Black	4000	21	0,94	-	2400	114	19132453

- (2) Power at maximum luminous flux.
- (3) When motion detection is activated with time delays greater than 1 minute, the luminaire automatically saves energy by deactivating motion detection when it is switched on. The motion detection is reactivated 30s before the end of the time delay.
- (4) Adaptive standby power. If the motion detector function is deactivated, the standby power consumption is reduced to 0.20W.

Power versus luminous flux



Operating instruction : www.securlite.com (NOT0840, NOT0900)

Technical and dimensional data are given for information only and may be modified at any time without notice. Please enquire before ordering.

12/04/2023