



VOILA DURABLE

Features

- Input voltage: 220–240 V AC, 50/60 Hz
- Input voltage range: 198–264 V AC
- Electrical protection class : II
- IP : 65 with silicone gasket
- IK : 10 / 20 joules
- ERP/ IGH : Incandescent wire test 850 °C / 30 s
- Rated ambient operating temperature: 25 °C
- Operating temperature range : -20 °C ... +35 °C
- Anti-rip-out skirt, 4 internal fixing points
- VK26 wall-mounted, VK26 ceiling-mounted
- CRI: 80
- SDCM (Standard Deviation Colour Matching): 3
- Photobiological hazard: RG0
- Energy class C light source
- Lumen maintenance: L80B10 / 100 000 hours
- Number of detector switching cycles: 1,000,000 at maximum load.
- Repairable luminaire. Spare parts available on demand
- 8-year guarantee, details of conditions available on securlite.com

Applications

- Decorative luminaire for indoor and outdoor environments subject to moderate vandalism
- Conditions of use:
 - Models with detection: suitable for indoor use
 - Installation positions: refer to installation instructions

Materials

- Base: recycled polycarbonate
- Diffuser: opal polycarbonate
- RoHS: the products contain no prohibited substances as defined in the European Directive 2011/65/UE and amendments

Colours / Finish

- Standard base colours: white RAL9003, black RAL9005, grey RAL7035
- Screw covers: white RAL9003, black RAL9005, grey RAL7035

Wiring

- Supply terminal block: automatic dual-entry for 1.5 mm² conductors
- 1 × 20,5 mm Ø cable entry + 1 knockout × 20,5 mm Ø cable entry for cable gland
- Side cable entries for plastic conduit for renovation

Fixings

- Standard versions use M5 stainless cross-point diffuser fixing screws (VK24)
- Vandal-resistant versions use M5 stainless 2-point tamper-proof diffuser fixing screws
- Captive diffuser screws

Facilities available

- Stainless crosspoint screws: add the suffix **9702** to the product code – example: 104xxxxx **9702**
- White screw cover RAL9003 code: **98100012**
- Grey screw cover RAL7035 code: **98100011**
- Black screw cover RAL9005 code: **98100003**

Accessories

(to be ordered separately)

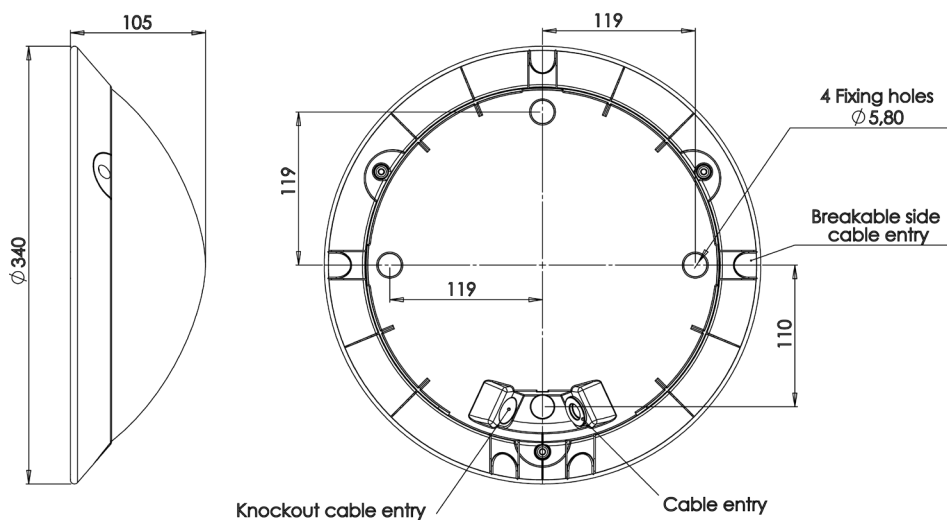
- M5 bit for 2-point tamper-proof screws – code: **98000003**
- Remote control (radio-control version) – code: **98000010**
- Bit-holder screwdriver – code: **98000005**

Approvals

Certificates available:

- CE certificate (as per EN60598-1 / 2-1)
- Incandescent Wire Test certificate (depending on product)
- EPD available for ON/OFF version : <https://register.pep-ecopassport.org>
- EPD available for Controllable version : <https://register.pep-ecopassport.org>

Dimensions



Technical data and order codes

| VOILA DURABLE on-off | | | | | | | | | |
|----------------------|--------|---------|-----------|----------------------|--------------|----------------------|-----------------------|---------------------------|-----------|
| Designation | Colour | CCT (K) | Power (W) | Driving current (mA) | Power factor | Power in standby (W) | Luminaire output (lm) | Luminaire efficacy (lm/W) | Reference |
| VOILA DURABLE 2100* | White | 3000 | 14 | 350 | 0,85 | - | 2048 | 146 | 10510300 |
| VOILA DURABLE 2425 | White | 3000 | 16 | 400 | 0,87 | - | 2324 | 145 | |
| VOILA DURABLE 2100* | White | 4000 | 14 | 350 | 0,85 | - | 2133 | 152 | 10510400 |
| VOILA DURABLE 2425 | White | 4000 | 16 | 400 | 0,87 | - | 2422 | 151 | |
| VOILA DURABLE 2100* | Grey | 3000 | 14 | 350 | 0,85 | - | 1981 | 141 | 10513300 |
| VOILA DURABLE 2425 | Grey | 3000 | 16 | 400 | 0,87 | - | 2248 | 141 | |
| VOILA DURABLE 2100* | Grey | 4000 | 14 | 350 | 0,85 | - | 2063 | 147 | 10513400 |
| VOILA DURABLE 2425 | Grey | 4000 | 16 | 400 | 0,87 | - | 2342 | 146 | |
| VOILA DURABLE 2100* | Black | 3000 | 14 | 350 | 0,85 | - | 1905 | 136 | 10512300 |
| VOILA DURABLE 2425 | Black | 3000 | 16 | 400 | 0,87 | - | 2162 | 135 | |
| VOILA DURABLE 2100* | Black | 4000 | 14 | 350 | 0,85 | - | 1984 | 142 | 10512400 |
| VOILA DURABLE 2425 | Black | 4000 | 16 | 400 | 0,87 | - | 2252 | 141 | |

| VOILA DURABLE with detection | | | | | | | | | |
|---|--------|---------|-----------|----------------------|--------------|----------------------|-----------------------|---------------------------|-----------|
| <i>technical specifications and conditions for detection www.securlite.com (NOT0400)</i> | | | | | | | | | |
| Designation | Colour | CCT (K) | Power (W) | Driving current (mA) | Power factor | Power in standby (W) | Luminaire output (lm) | Luminaire efficacy (lm/W) | Reference |
| VOILA DURABLE 2100* | White | 3000 | 15 | 350 | 0,84 | 0,44 | 2019 | 135 | 10510311 |
| VOILA DURABLE 2425 | White | 3000 | 17 | 400 | 0,87 | 0,44 | 2285 | 134 | |
| VOILA DURABLE 2100* | White | 4000 | 15 | 350 | 0,84 | 0,44 | 2102 | 140 | 10510411 |
| VOILA DURABLE 2425 | White | 4000 | 17 | 400 | 0,87 | 0,44 | 2380 | 140 | |
| VOILA DURABLE 2100* | Grey | 3000 | 15 | 350 | 0,84 | 0,44 | 1952 | 130 | 10513311 |
| VOILA DURABLE 2425 | Grey | 3000 | 17 | 400 | 0,87 | 0,44 | 2209 | 130 | |
| VOILA DURABLE 2100* | Grey | 4000 | 15 | 350 | 0,84 | 0,44 | 2033 | 136 | 10513411 |
| VOILA DURABLE 2425 | Grey | 4000 | 17 | 400 | 0,87 | 0,44 | 2302 | 135 | |
| VOILA DURABLE 2100* | Black | 3000 | 15 | 350 | 0,84 | 0,44 | 1877 | 125 | 10512311 |
| VOILA DURABLE 2425 | Black | 3000 | 17 | 400 | 0,87 | 0,44 | 2125 | 125 | |
| VOILA DURABLE 2100* | Black | 4000 | 15 | 350 | 0,84 | 0,44 | 1955 | 130 | 10512411 |
| VOILA DURABLE 2425 | Black | 4000 | 17 | 400 | 0,87 | 0,44 | 2214 | 130 | |

| VOILA DURABLE with Pro detection + Extinction or standby warning | | | | | | | | | |
|---|--------|---------|-----------|----------------------|--------------|----------------------|-----------------------|---------------------------|-----------|
| <i>technical specifications and conditions for detection www.securlite.com (NOT0425)</i> | | | | | | | | | |
| Designation | Colour | CCT (K) | Power (W) | Driving current (mA) | Power factor | Power in standby (W) | Luminaire output (lm) | Luminaire efficacy (lm/W) | Reference |
| VOILA DURABLE 2100* | White | 3000 | 15 | 350 | 0,84 | 0,44 | 2019 | 135 | 10510313 |
| VOILA DURABLE 2425 | White | 3000 | 17 | 400 | 0,87 | 0,44 | 2285 | 134 | |
| VOILA DURABLE 2100* | White | 4000 | 15 | 350 | 0,84 | 0,44 | 2102 | 140 | 10510413 |
| VOILA DURABLE 2425 | White | 4000 | 17 | 400 | 0,87 | 0,44 | 2380 | 140 | |
| VOILA DURABLE 2100* | Grey | 3000 | 15 | 350 | 0,84 | 0,44 | 1952 | 130 | 10513313 |
| VOILA DURABLE 2425 | Grey | 3000 | 17 | 400 | 0,87 | 0,44 | 2209 | 130 | |
| VOILA DURABLE 2100* | Grey | 4000 | 15 | 350 | 0,84 | 0,44 | 2033 | 136 | 10513413 |
| VOILA DURABLE 2425 | Grey | 4000 | 17 | 400 | 0,87 | 0,44 | 2302 | 135 | |
| VOILA DURABLE 2100* | Black | 3000 | 15 | 350 | 0,84 | 0,44 | 1877 | 125 | 10512313 |
| VOILA DURABLE 2425 | Black | 3000 | 17 | 400 | 0,87 | 0,44 | 2125 | 125 | |
| VOILA DURABLE 2100* | Black | 4000 | 15 | 350 | 0,84 | 0,44 | 1955 | 130 | 10512413 |
| VOILA DURABLE 2425 | Black | 4000 | 17 | 400 | 0,87 | 0,44 | 2214 | 130 | |

Technical data and order codes

| VOILA DURABLE with Pro detection + radio-control | | | | | | | | | |
|---|--------|---------|-----------|----------------------|--------------|----------------------|-----------------------|---------------------------|-----------|
| <i>technical specifications and conditions for detection www.securlite.com (NOT0420)</i> | | | | | | | | | |
| Designation | Colour | CCT (K) | Power (W) | Driving current (mA) | Power factor | Power in standby (W) | Luminaire output (lm) | Luminaire efficacy (lm/W) | Reference |
| VOILA DURABLE 2100* | White | 3000 | 15 | 350 | 0,84 | 0,44 | 2019 | 135 | 10510316 |
| VOILA DURABLE 2425 | White | 3000 | 17 | 400 | 0,87 | 0,44 | 2285 | 134 | |
| VOILA DURABLE 2100* | White | 4000 | 15 | 350 | 0,84 | 0,44 | 2102 | 140 | 10510416 |
| VOILA DURABLE 2425 | White | 4000 | 17 | 400 | 0,87 | 0,44 | 2380 | 140 | |
| VOILA DURABLE 2100* | Grey | 3000 | 15 | 350 | 0,84 | 0,44 | 1952 | 130 | 10513316 |
| VOILA DURABLE 2425 | Grey | 3000 | 17 | 400 | 0,87 | 0,44 | 2209 | 130 | |
| VOILA DURABLE 2100* | Grey | 4000 | 15 | 350 | 0,84 | 0,44 | 2033 | 136 | 10513416 |
| VOILA DURABLE 2425 | Grey | 4000 | 17 | 400 | 0,87 | 0,44 | 2302 | 135 | |
| VOILA DURABLE 2100* | Black | 3000 | 15 | 350 | 0,84 | 0,44 | 1877 | 125 | 10512316 |
| VOILA DURABLE 2425 | Black | 3000 | 17 | 400 | 0,87 | 0,44 | 2125 | 125 | |
| VOILA DURABLE 2100* | Black | 4000 | 15 | 350 | 0,84 | 0,44 | 1955 | 130 | 10512416 |
| VOILA DURABLE 2425 | Black | 4000 | 17 | 400 | 0,87 | 0,44 | 2214 | 130 | |

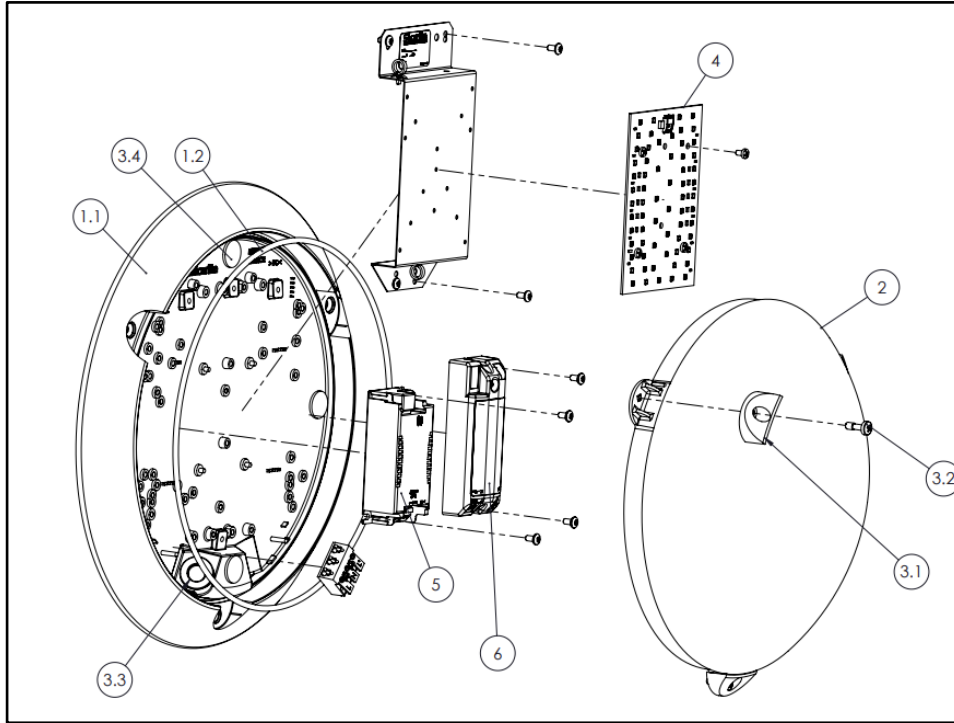
| VOILA DURABLE with Pro detection + extinction or standby warning + radio-control | | | | | | | | | |
|---|--------|---------|-----------|----------------------|--------------|----------------------|-----------------------|---------------------------|-----------|
| <i>technical specifications and conditions for detection www.securlite.com (NOT0430)</i> | | | | | | | | | |
| Designation | Colour | CCT (K) | Power (W) | Driving current (mA) | Power factor | Power in standby (W) | Luminaire output (lm) | Luminaire efficacy (lm/W) | Reference |
| VOILA DURABLE 2100* | White | 3000 | 16 | 350 | 0,91 | <0,5 | 2019 | 126 | 10510317 |
| VOILA DURABLE 2425 | White | 3000 | 18 | 400 | 0,92 | <0,5 | 2285 | 127 | |
| VOILA DURABLE 2100* | White | 4000 | 16 | 350 | 0,91 | <0,5 | 2102 | 131 | 10510417 |
| VOILA DURABLE 2425 | White | 4000 | 18 | 400 | 0,92 | <0,5 | 2380 | 132 | |
| VOILA DURABLE 2100* | Grey | 3000 | 16 | 350 | 0,91 | <0,5 | 1955 | 122 | 10513317 |
| VOILA DURABLE 2425 | Grey | 3000 | 18 | 400 | 0,92 | <0,5 | 2209 | 123 | |
| VOILA DURABLE 2100* | Grey | 4000 | 16 | 350 | 0,91 | <0,5 | 2033 | 127 | 10513417 |
| VOILA DURABLE 2425 | Grey | 4000 | 18 | 400 | 0,92 | <0,5 | 2302 | 128 | |
| VOILA DURABLE 2100* | Black | 3000 | 16 | 350 | 0,91 | <0,5 | 1877 | 117 | 10512317 |
| VOILA DURABLE 2425 | Black | 3000 | 18 | 400 | 0,92 | <0,5 | 2125 | 118 | |
| VOILA DURABLE 2100* | Black | 4000 | 16 | 350 | 0,91 | <0,5 | 1955 | 122 | 10512417 |
| VOILA DURABLE 2425 | Black | 4000 | 18 | 400 | 0,92 | <0,5 | 2214 | 123 | |

| VOILA DURABLE Dali dimmable + Switch Dimming | | | | | | | | | |
|---|--------|---------|-----------|----------------------|--------------|----------------------|-----------------------|---------------------------|-----------|
| <i>technical specifications and conditions for detection www.securlite.com (NOT0880)</i> | | | | | | | | | |
| Designation | Colour | CCT (K) | Power (W) | Driving current (mA) | Power factor | Power in standby (W) | Luminaire output (lm) | Luminaire efficacy (lm/W) | Reference |
| VOILA DURABLE 2425 | White | 3000 | 16 | 400 | 0,91 | 0,15 | 2324 | 145 | 10510321 |
| VOILA DURABLE 2425 | White | 4000 | 16 | 400 | 0,91 | 0,15 | 2422 | 151 | 10510421 |
| VOILA DURABLE 2425 | Grey | 3000 | 16 | 400 | 0,91 | 0,15 | 2248 | 141 | 10513321 |
| VOILA DURABLE 2425 | Grey | 4000 | 16 | 400 | 0,91 | 0,15 | 2342 | 146 | 10513421 |
| VOILA DURABLE 2425 | Black | 3000 | 16 | 400 | 0,91 | 0,15 | 2162 | 135 | 10512321 |
| VOILA DURABLE 2425 | Black | 4000 | 16 | 400 | 0,91 | 0,15 | 2252 | 141 | 10512421 |

* Default configuration (for luminaire output changes, please refer to the operating instruction)

Operating instruction : www.securlite.com (NOT0910)

Spare parts code for order : (other parts available on request)



| Option | Base (1) | | | Diffuser (2) | Screw KIT (3) | | | LED module (4) | | Power supply (5) | Sensor (6) |
|----------|----------|----------|----------|--------------|---------------|----------|----------|----------------|----------|------------------|------------|
| | White | Grey | Black | | White | Grey | Black | 3000K | 4000K | | |
| xxxxxx00 | 97100071 | 97100026 | 97100101 | 97107000 | 97105000 | 97105001 | 97105002 | 97102085 | 97102090 | 97101110 | - |
| xxxxxx11 | | | | | | | | | | 97101110 | 97030000 |
| xxxxxx13 | | | | | | | | | | 97101115 | 97030040 |
| xxxxxx16 | | | | | | | | | | 97101110 | 97030035 |
| xxxxxx17 | | | | | | | | | | 97101115 | 97030045 |
| xxxxxx21 | | | | | | | | | | 97101120 | - |