



VOILA DURABLE ASYMMETRIC

Features

- Input voltage: 220–240 V AC, 50/60 Hz
- Input voltage range: 198–264 V AC
- Electrical protection class : II
- IP : 65 with silicone gasket
- IK : 10 / 20 joules
- ERP/ IGH : Incandescent wire test 850 °C / 30 s
- Rated ambient operating temperature: 25 °C
- Operating temperature range : -20 °C ... +35 °C
- Anti-rip-out skirt, 4 internal fixing points
- VK26 wall-mounted
- CRI: 80
- SDCM (Standard Deviation Colour Matching): 3
- Photobiological hazard: RG0
- Energy class C light source
- Lumen maintenance: L80B10 / 100 000 hours
- Number of detector switching cycles: 1,000,000 at maximum load.
- Repairable luminaire. Spare parts available on demand
- 8-year guarantee, details of conditions available on securlite.com

Applications

- Decorative luminaire for indoor and outdoor environments subject to moderate vandalism
- Conditions of use:
 - Models with detection: suitable for indoor use
 - Installation positions: refer to installation instructions

Materials

- Base: recycled polycarbonate
- Diffuser: opal polycarbonate
- Aluminium reflector
- RoHS: the products contain no prohibited substances as defined in the European Directive 2011/65/UE and amendments

Colours / Finish

- Standard base colours: white RAL9003, black RAL9005, grey RAL7035
- Screw covers: white RAL9003, black RAL9005, grey RAL7035

Wiring

- Supply terminal block: automatic dual-entry for 1.5 mm² conductors
- 1 × 20,5 mm Ø cable entry + 1 knockout × 20,5 mm Ø cable entry for cable gland
- Side cable entries for plastic conduit for renovation

Fixing

- Standard versions use M5 stainless cross-point diffuser fixing screws (VK24)
- Vandal-resistant versions use M5 stainless 2-point tamper-proof diffuser fixing screws
- Captive diffuser screws

Facilities available

- Stainless crosspoint screws: add the suffix **9702** to the product code – example: 104xxxxx **9702**
- White screw cover RAL9003 code: **98100012**
- Grey screw cover RAL7035 code: **98100011**
- Black screw cover RAL9005 code: **98100003**

Accessories

(to be ordered separately)

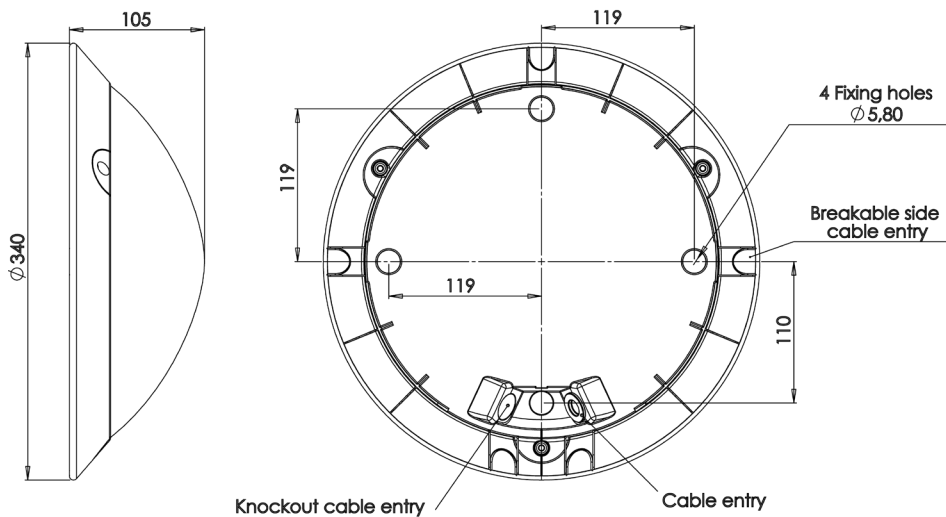
- M5 bit for 2-point tamper-proof screws – code: **98000003**
- Remote control (radio-control version) – code: **98000010**
- Bit-holder screwdriver – code: **98000005**

Approvals

Certificates available:

- CE certificate (as per EN60598-1 / 2-1)
- Incandescent Wire Test certificate (depending on product)
- EPD available for ON/OFF version : <https://register.pep-ecopassport.org>
- EPD available for Controllable version : <https://register.pep-ecopassport.org>

Dimensions



Technical data and order codes

VOILA DURABLE Asymmetric on-off									
Designation	Colour	CCT (K)	Power (W)	Driving current (mA)	Power factor	Power in standby (W)	Luminaire output (lm)	Luminaire efficacy (lm/W)	Reference
VOILA DURABLE Asy. 2500*	White	3000	17	400	0,88	-	2532	149	10530300
VOILA DURABLE Asy. 2900	White	3000	20	450	0,90	-	2850	142	
VOILA DURABLE Asy. 2500*	White	4000	17	400	0,88	-	2637	155	10530400
VOILA DURABLE Asy. 2900	White	4000	20	450	0,90	-	2968	148	
VOILA DURABLE Asy. 2500*	Grey	3000	17	400	0,88	-	2532	149	10533300
VOILA DURABLE Asy. 2900	Grey	3000	20	450	0,90	-	2850	142	
VOILA DURABLE Asy. 2500*	Grey	4000	17	400	0,88	-	2637	155	10533400
VOILA DURABLE Asy. 2900	Grey	4000	20	450	0,90	-	2968	148	
VOILA DURABLE Asy. 2500*	Black	3000	17	400	0,88	-	2532	149	10532300
VOILA DURABLE Asy. 2900	Black	3000	20	450	0,90	-	2850	142	
VOILA DURABLE Asy. 2500*	Black	4000	17	400	0,88	-	2637	155	10532400
VOILA DURABLE Asy. 2900	Black	4000	20	450	0,90	-	2968	148	

VOILA DURABLE Asymmetric with detection									
<i>technical specifications and conditions for detection www.securlite.com (NOT0400)</i>									
Designation	Colour	CCT (K)	Power (W)	Driving current (mA)	Power factor	Power in standby (W)	Luminaire output (lm)	Luminaire efficacy (lm/W)	Reference
VOILA DURABLE Asy. 2500*	White	3000	18	400	0,88	0,44	2491	138	10530311
VOILA DURABLE Asy. 2900	White	3000	20	450	0,91	0,44	2491	140	
VOILA DURABLE Asy. 2500*	White	4000	18	400	0,88	0,44	2595	144	10530411
VOILA DURABLE Asy. 2900	White	4000	20	450	0,91	0,44	2595	146	
VOILA DURABLE Asy. 2500*	Grey	3000	18	400	0,88	0,44	2491	138	10533311
VOILA DURABLE Asy. 2900	Grey	3000	20	450	0,91	0,44	2491	140	
VOILA DURABLE Asy. 2500*	Grey	4000	18	400	0,88	0,44	2595	144	10533411
VOILA DURABLE Asy. 2900	Grey	4000	20	450	0,91	0,44	2595	146	
VOILA DURABLE Asy. 2500*	Black	3000	18	400	0,88	0,44	2491	138	10532311
VOILA DURABLE Asy. 2900	Black	3000	20	450	0,91	0,44	2491	140	
VOILA DURABLE Asy. 2500*	Black	4000	18	400	0,88	0,44	2595	144	10532411
VOILA DURABLE Asy. 2900	Black	4000	20	450	0,91	0,44	2595	146	

VOILA DURABLE Asymmetric with Pro detection + Extinction or standby warning									
<i>technical specifications and conditions for detection www.securlite.com (NOT0425)</i>									
Designation	Colour	CCT (K)	Power (W)	Driving current (mA)	Power factor	Power in standby (W)	Luminaire output (lm)	Luminaire efficacy (lm/W)	Reference
VOILA DURABLE Asy. 2500*	White	3000	19	400	0,93	<0,5	2491	131	10530313
VOILA DURABLE Asy. 2900	White	3000	21	450	0,94	<0,5	2491	133	
VOILA DURABLE Asy. 2500*	White	4000	19	400	0,93	<0,5	2595	136	10530413
VOILA DURABLE Asy. 2900	White	4000	21	450	0,94	<0,5	2595	139	
VOILA DURABLE Asy. 2500*	Grey	3000	19	400	0,93	<0,5	2491	131	10533313
VOILA DURABLE Asy. 2900	Grey	3000	21	450	0,94	<0,5	2491	133	
VOILA DURABLE Asy. 2500*	Grey	4000	19	400	0,93	<0,5	2595	136	10533413
VOILA DURABLE Asy. 2900	Grey	4000	21	450	0,94	<0,5	2595	139	
VOILA DURABLE Asy. 2500*	Black	3000	19	400	0,93	<0,5	2491	131	10532313
VOILA DURABLE Asy. 2900	Black	3000	21	450	0,94	<0,5	2491	133	
VOILA DURABLE Asy. 2500*	Black	4000	19	400	0,93	<0,5	2595	136	10532413
VOILA DURABLE Asy. 2900	Black	4000	21	450	0,94	<0,5	2595	139	

Technical and dimensional data are given for information only and may be modified at any time without notice. Please enquire before ordering.

Technical data and order codes

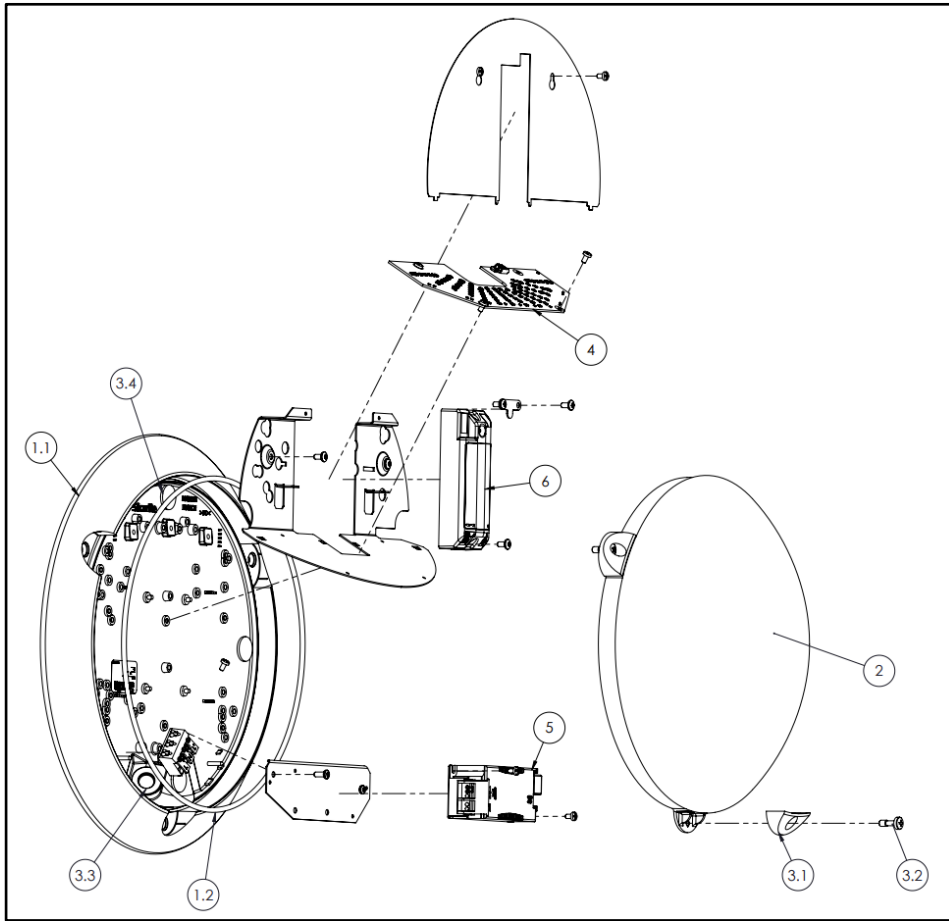
VOILA DURABLE Asymmetric with Pro detection + radio-control technical specifications and conditions for detection www.securlite.com (NOT0420)									
Designation	Colour	CCT (K)	Power (W)	Driving current (mA)	Power factor	Power in standby (W)	Luminaire output (lm)	Luminaire efficacy (lm/W)	Reference
VOILA DURABLE Asy. 2500*	White	3000	18	400	0,88	0,44	2485	138	10530316
VOILA DURABLE Asy. 2900	White	3000	20	450	0,91	0,44	2796	140	
VOILA DURABLE Asy. 2500*	White	4000	18	400	0,88	0,44	2588	144	10530416
VOILA DURABLE Asy. 2900	White	4000	20	450	0,91	0,44	2913	146	
VOILA DURABLE Asy. 2500*	Grey	3000	18	400	0,88	0,44	2485	138	10533316
VOILA DURABLE Asy. 2900	Grey	3000	20	450	0,91	0,44	2796	140	
VOILA DURABLE Asy. 2500*	Grey	4000	18	400	0,88	0,44	2588	144	10533416
VOILA DURABLE Asy. 2900	Grey	4000	20	450	0,91	0,44	2913	146	
VOILA DURABLE Asy. 2500*	Black	3000	18	400	0,88	0,44	2485	138	10532316
VOILA DURABLE Asy. 2900	Black	3000	20	450	0,91	0,44	2796	140	
VOILA DURABLE Asy. 2500*	Black	4000	18	400	0,88	0,44	2588	144	10532416
VOILA DURABLE Asy. 2900	Black	4000	20	450	0,91	0,44	2913	146	

VOILA DURABLE Asymmetric with Pro detection + extinction or standby warning + radio-control technical specifications and conditions for detection www.securlite.com (NOT0430)									
Designation	Colour	CCT (K)	Power (W)	Driving current (mA)	Power factor	Power in standby (W)	Luminaire output (lm)	Luminaire efficacy (lm/W)	Reference
VOILA DURABLE Asy. 2500*	White	3000	19	400	0,93	<0,5	2485	131	10530317
VOILA DURABLE Asy. 2900	White	3000	21	450	0,94	<0,5	2796	133	
VOILA DURABLE Asy. 2500*	White	4000	19	400	0,93	<0,5	2588	136	10530417
VOILA DURABLE Asy. 2900	White	4000	21	450	0,94	<0,5	2913	139	
VOILA DURABLE Asy. 2500*	Grey	3000	19	400	0,93	<0,5	2485	131	10533317
VOILA DURABLE Asy. 2900	Grey	3000	21	450	0,94	<0,5	2796	133	
VOILA DURABLE Asy. 2500*	Grey	4000	19	400	0,93	<0,5	2588	136	10533417
VOILA DURABLE Asy. 2900	Grey	4000	21	450	0,94	<0,5	2913	139	
VOILA DURABLE Asy. 2500*	Black	3000	19	400	0,93	<0,5	2485	131	10532317
VOILA DURABLE Asy. 2900	Black	3000	21	450	0,94	<0,5	2796	133	
VOILA DURABLE Asy. 2500*	Black	4000	19	400	0,93	<0,5	2588	136	10532417
VOILA DURABLE Asy. 2900	Black	4000	21	450	0,94	<0,5	2913	139	

* Default configuration (for luminaire output changes, please refer to the operating instruction)

Operating instruction : www.securlite.com (NOT0915)

Spare parts code for order : (other parts available on request)



Option	Base (1)			Diffuser (2)	Screw KIT (3)			LED module (4)		Power supply (5)	Sensor (6)
	White	Grey	Black		White	Grey	Black	3000K	4000K		
xxxxxx00										97101110	-
xxxxxx11										97101110	97030000
xxxxxx13	97100071	97100026	97100101	97107000	97105000	97105001	97105002	97102095	97102100	97101115	97030040
xxxxxx16										97101110	97030035
xxxxxx17										97101115	97030045