

FILA² 70 LOUVRES

Features

- Input voltage: 220–240 V AC, 50/60 Hz
- Input voltage range: 198–264 V AC
- Electrical protection class 1
- IP: 67
- IK: 10 / 20 joules
- Incandescent wire test 850 °C / 30 s
- Rated ambient operating temperature: 25 °C
- Operating temperature range : -20 °C ... +35 °C
- VK21 wall-mounted, VK21 ceiling-mounted, VK21 suspended
- CRI: 80
- SDCM (Standard Deviation Colour Matching): 3
- Photobiological hazard: RG0
- Energy class C light source
- Lumen maintenance: L80B10 / over 72,000 hours
- Lumen maintenance: L90B50 / 52,000 hours
- Number of detector switching cycles: 1,000,000 at maximum load.
- Repairable luminaire. Spare parts available on demand
- 5-year guarantee, details of conditions available on securlite.com
- **Fasteners sold separately (see ACCESSORIES section, page 2).**

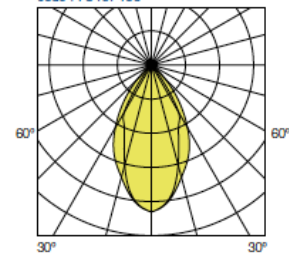
Applications

- Architectural luminaire with louvres for indoor and outdoor environments subject to moderate vandalism
- Conditions of use :
 - UGR and GR to be confirmed for each lighting project.
 - Models with detection: installation indoor only
 - Installation positions: refer to installation instructions

Materials

- UV stabilized, clear polycarbonate body, 66 mm Ø, thickness 2 mm
- Plug-in terminal block
- Aluminium louvres
- End caps and fittings: 304L or 316L stainless steel (depending on the version)
- Sealing via compressed silicone gasket
- Closure by 2 stainless screws CHC at each end
- IP67 cable gland at one end
- RoHS: the products contain no prohibited substances as defined in the European Directive 2011/65/UE and amendments

Fila² 70 with louvres
code : 73407400



Colours / Finish

- Clear polycarbonate body with white reflector plate

Wiring

- Supply terminal block: connector conductors
 - 1,5 mm² (3G1.5mm² or 5G1.5mm² cable)
 - 2.5mm² (3 G2.5mm² cable only)
- Cable gland for cable with \varnothing 6 to 12 mm max

Fixings

- End caps closed using 2 × M6 stainless screws with CHC-type heads

Facilities available

- Through wiring: add the suffix **9101** to the product code – example: 73xxxxxx **9101**
- Quick connect: add the suffix **9102** to the product code – example: 73xxxxxx **9102**
- Quick connect + through wiring: add the suffix **9103** to the product code – example: 73xxxxxx **9103**
- Stainless vandal-resistant screws: add the suffix **9701** to the product code – example: 73xxxxxx **9701**
- In-line version: add the suffix **9801** to the product code – example: 73xxxxxx **9701**

Accessories (to be ordered separately)

Fila 2 70

Kit of 304L stainless fittings for wall mounting, standard screw fixing – code **98737001**

Kit of 304L stainless fittings for wall mounting, turnbuckle fixing – code **98737002**

Kit of 304L stainless fittings for suspended mounting, standard screw fixing – code **98737003**

Kit of 316L stainless fittings for wall mounting, standard screw fixing – code **98738001**

Kit of 316L stainless fittings for suspended mounting, standard screw fixing – code **98738003**

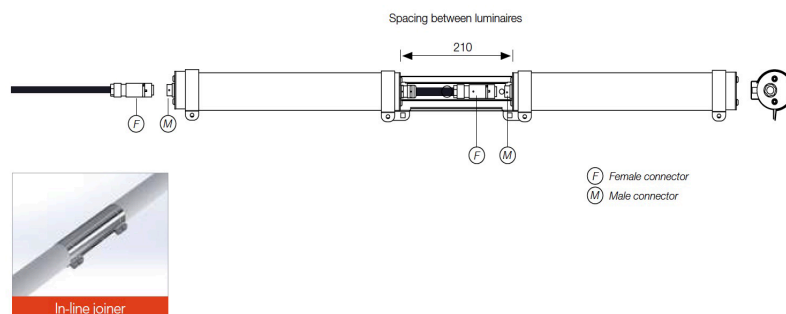
One kit contains tow fittings.

*Optional stainless steel vandal-resistant screws: add suffix 9701 to the product code: e.g. **987370019701***

In-line joiner (to be ordered separately)

304L stainless steel joiner – code 98737004

316L stainless steel joiner – code 98738004



For use only in association with additional option code 9801 (in-line fitting): e.g. 734074009801

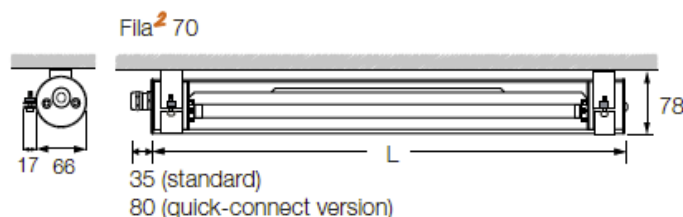
*Optional stainless steel vandal-resistant screws: add suffix 9701 to the product code: e.g. **987370049701***

Approvals

Certificates available:

- CE certificate (as per EN60598-1 / 2-1)
- Incandescent Wire Test certificate (depending on product)

Dimensions



Technical and dimensional data are given for information only and may be modified at any time without notice. Please enquire before ordering.

Technical data and order codes

FILA ² 70 LED with louvres (clear diffuser)									
Designation	CCT (K)	Power (W)	Power in standby (W)	Power factor	L (mm)	Luminaire output (lm)	Luminaire efficacy (lm/W)	Code 304L stainless steel	Code 316L stainless steel
2 modules LLC1300	3000	19	-	>0,9	690	2206	116	73407300	73408300
2 modules LLC1300	4000	19	-	>0,9	690	2300	121	73407400	73408400
3 modules LLC1300	3000	26	-	>0,9	970	3162	122	73417300	73418300
3 modules LLC1300	4000	26	-	>0,9	970	3295	127	73417400	73418400
4 modules LLC1300	3000	36	-	>0,9	1250	4414	123	73427300	73428300
4 modules LLC1300	4000	36	-	>0,9	1250	4600	128	73427400	73428400
5 modules LLC1300	3000	41	-	>0,9	1530	5074	124	73437300	73438300
5 modules LLC1300	4000	41	-	>0,9	1530	5287	129	73437400	73438400

FILA ² 70 LED with louvres (clear diffuser)- Pro detection technical specifications and conditions of use for detection : www.securlite.com (NOT0410)									
Designation	CCT (K)	Power (W)	Power in standby (W)	Power factor	L (mm)	Luminaire output (lm)	Luminaire efficacy (lm/W)	Code 304L stainless steel	Code 316L stainless steel
2 modules LLC1300	3000	20	<0,5	>0,9	855	2206	110	73407312	73408312
2 modules LLC1300	4000	20	<0,5	>0,9	855	2300	115	73407412	73408412
3 modules LLC1300	3000	27	<0,5	>0,9	1135	3162	117	73417312	73418312
3 modules LLC1300	4000	27	<0,5	>0,9	1135	3295	122	73417412	73418412
4 modules LLC1300	3000	37	<0,5	>0,9	1415	4414	119	73427312	73428312
4 modules LLC1300	4000	37	<0,5	>0,9	1415	4600	124	73427412	73428412
5 modules LLC1300	3000	42	<0,5	>0,9	1695	5074	121	73437312	73438312
5 modules LLC1300	4000	42	<0,5	>0,9	1695	5287	126	73437412	73438412

FILA ² 70 LED with louvres (clear diffuser) - Pro detection + extinction warning technical specifications and conditions of use for detection : www.securlite.com (NOT0410)									
Designation	CCT (K)	Power (W)	Power in standby (W)	Power factor	L (mm)	Luminaire output (lm)	Luminaire efficacy (lm/W)	Code 304L stainless steel	Code 316L stainless steel
2 modules LLC1300	3000	20	<0,5	>0,9	855	2206	110	73407314	73408314
2 modules LLC1300	4000	20	<0,5	>0,9	855	2300	115	73407414	73408414
3 modules LLC1300	3000	27	<0,5	>0,9	1135	3162	117	73417314	73418314
3 modules LLC1300	4000	27	<0,5	>0,9	1135	3295	122	73417414	73418414
4 modules LLC1300	3000	37	<0,5	>0,9	1415	4414	119	73427314	73428314
4 modules LLC1300	4000	37	<0,5	>0,9	1415	4600	124	73427414	73428414
5 modules LLC1300	3000	42	<0,5	>0,9	1695	5074	121	73437314	73438314
5 modules LLC1300	4000	42	<0,5	>0,9	1695	5287	126	73437414	73438414

FILA ² 70 LED with louvres (clear diffuser) + Pro detection + standby warning technical specifications and conditions of use for detection : www.securlite.com (NOT0410)									
Designation	CCT (K)	Power (W)	Power in standby (W)	Power factor	L (mm)	Luminaire output (lm)	Luminaire efficacy (lm/W)	Code 304L stainless steel	Code 316L stainless steel
2 modules LLC1300	3000	20	<0,5	>0,9	855	2206	110	73407315	73408315
2 modules LLC1300	4000	20	<0,5	>0,9	855	2300	115	73407415	73408415
3 modules LLC1300	3000	27	<0,5	>0,9	1135	3162	117	73417315	73418315
3 modules LLC1300	4000	27	<0,5	>0,9	1135	3295	122	73417415	73418415
4 modules LLC1300	3000	37	<0,5	>0,9	1415	4414	119	73427315	73428315
4 modules LLC1300	4000	37	<0,5	>0,9	1415	4600	124	73427415	73428415
5 modules LLC1300	3000	42	<0,5	>0,9	1695	5074	121	73437315	73438315
5 modules LLC1300	4000	42	<0,5	>0,9	1695	5287	126	73437415	73438415

FILA ² 70 LED with louvres (clear diffuser) + slave version + extinction warning technical specifications and conditions of use for dali : www.securlite.com (NOT0880)									
Designation	CCT (K)	Power (W)	Power in standby (W)	Power factor	L (mm)	Luminaire output (lm)	Luminaire efficacy (lm/W)	Code 304L stainless steel	Code 316L stainless steel
2 modules LLC1300	3000	20	<0,5	>0,9	690	2206	110	73407304	73408304
2 modules LLC1300	4000	20	<0,5	>0,9	690	2300	115	73407404	73408404
3 modules LLC1300	3000	27	<0,5	>0,9	970	3162	117	73417304	73418304
3 modules LLC1300	4000	27	<0,5	>0,9	970	3295	122	73417404	73418404
4 modules LLC1300	3000	37	<0,5	>0,9	1250	4414	119	73427304	73428304
4 modules LLC1300	4000	37	<0,5	>0,9	1250	4600	124	73427404	73428404
5 modules LLC1300	3000	42	<0,5	>0,9	1530	5074	121	73437304	73438304
5 modules LLC1300	4000	42	<0,5	>0,9	1530	5287	126	73437404	73438404

Technical and dimensional data are given for information only and may be modified at any time without notice. Please enquire before ordering.

02/12/2024

Technical data and order codes

FILA 2 70 LED with louvres (clear diffuser) + slave version + stand-by warning technical specifications and conditions of use for dali : www.securlite.com (NOT0880)									
Designation	CCT (K)	Power (W)	Power in standby (W)	Power factor	L (mm)	Luminaire output (lm)	Luminaire efficacy (lm/W)	Code 304L stainless steel	Code 316L stainless steel
2 modules LLC1300	3000	20	<0,5	>0,9	690	2206	110	73407305	73408305
2 modules LLC1300	4000	20	<0,5	>0,9	690	2300	115	73407405	73408405
3 modules LLC1300	3000	27	<0,5	>0,9	970	3162	117	73417305	73418305
3 modules LLC1300	4000	27	<0,5	>0,9	970	3295	122	73417405	73418405
4 modules LLC1300	3000	37	<0,5	>0,9	1250	4414	119	73427305	73428305
4 modules LLC1300	4000	37	<0,5	>0,9	1250	4600	124	73427405	73428405
5 modules LLC1300	3000	42	<0,5	>0,9	1530	5074	121	73437305	73438305
5 modules LLC1300	4000	42	<0,5	>0,9	1530	5287	126	73437405	73438405

FILA 2 70 LED with louvres (clear diffuser) DALI dimmable + switch dimming technical specifications and conditions of use for dali : www.securlite.com (NOT0880)									
Designation	CCT (K)	Power (W)	Power in standby (W)	Power factor	L (mm)	Luminaire output (lm)	Luminaire efficacy (lm/W)	Code 304L stainless steel	Code 316L stainless steel
2 modules LLC1300	3000	20	<0,5	>0,9	690	2206	110	73407321	73408321
2 modules LLC1300	4000	20	<0,5	>0,9	690	2300	115	73407421	73408421
3 modules LLC1300	3000	27	<0,5	>0,9	970	3162	117	73417321	73418321
3 modules LLC1300	4000	27	<0,5	>0,9	970	3295	122	73417421	73418421
4 modules LLC1300**	3000	37	<0,5	>0,9	1250	4414	119	73427321	73428321
4 modules LLC1300**	4000	37	<0,5	>0,9	1250	4600	124	73427421	73428421
5 modules LLC1300**	3000	42	<0,5	>0,9	1530	5074	121	73437321	73438321
5 modules LLC1300**	4000	42	<0,5	>0,9	1530	5287	126	73437421	73438421

FILA 2 70 LED with louvres (clear diffuser) + Pro detection + radio-control technical specifications and conditions of use for detection : www.securlite.com (NOT0420)									
Designation	CCT (K)	Power (W)	Power in standby (W)	Power factor	L (mm)	Luminaire output (lm)	Luminaire efficacy (lm/W)	Code 304L stainless steel	Code 316L stainless steel
2 modules LLC1300	3000	20	0,5	>0,9	855	2206	110	73407316	73408316
2 modules LLC1300	4000	20	0,5	>0,9	855	2300	115	73407416	73408416
3 modules LLC1300	3000	27	0,5	>0,9	1135	3162	117	73417316	73418316
3 modules LLC1300	4000	27	0,5	>0,9	1135	3295	122	73417416	73418416
4 modules LLC1300	3000	37	0,5	>0,9	1415	4414	119	73427316	73428316
4 modules LLC1300	4000	37	0,5	>0,9	1415	4600	124	73427416	73428416
5 modules LLC1300	3000	42	0,5	>0,9	1695	5074	121	73437316	73438316
5 modules LLC1300	4000	42	0,5	>0,9	1695	5287	126	73437416	73438416

Operating instruction : www.securlite.com (NOT0565)