



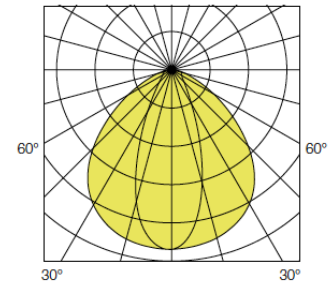
FILA 2 100 LED

CLEAR + 40° OPTICS

Features

- Input voltage: 220–240 V AC, 50/60 Hz
- Input voltage range: 198–264 V AC
- Electrical protection class 1
- IP: 67
- IK: 10 / 20 joules
- Incandescent wire test 850 °C / 30 s Rated ambient operating temperature: 25 °C
- Operating temperature range : -20 °C ... +35 °C
- VK21 wall-mounted, VK21 ceiling-mounted, VK21 suspended
- CRI: 80
- SDCM (Standard Deviation Colour Matching): 3
- Photobiological hazard: RG0
- Energy class C light source
- Lumen maintenance: L80B10 / over 72,000 hours
- Number of detector switching cycles: 1,000,000 at maximum load.
- Repairable luminaire. Spare parts available on demand.
- 5-year guarantee, details of conditions available on securlite.com
- **Fasteners sold separately (see ACCESSORIES section, page 2).**

Fila 2 100 40° optics code: 74207400



Applications

- Architectural luminaire with 40° optics for indoor and outdoor environments subject to moderate vandalism
- Conditions of use:
 - UGR and GR to be confirmed for each lighting project.
 - Installation positions: refer to installation instructions

Materials

- UV-stabilized clear polycarbonate body, 98 mm Ø, thickness 2 mm
- Plug-in terminal block
- Flow control 40° optics
- End caps and fittings: 304L or 316L stainless steel (depending on the version)
- Sealing via compressed silicone gasket
- Closure by 2 stainless screws CHC at each end
- IP67 ISO M20 cable gland at one end
- Ø 98 mm: protective vent for secure sealing
- RoHS: the products contain no prohibited substances as defined in the European Directive 2011/65/UE and amendments

Colours / Finish

- Clear polycarbonate body with white reflector plate

Wiring

- Supply terminal block: connector conductors
 - 1,5 mm² (3G1.5mm² or 5G1.5mm² cable)
 - 2.5mm² (3 G2.5mm² cable only)
- Cable gland for cable with ø 6 to 12 mm max

Technical and dimensional data are given for information only and may be modified at any time without notice. Please enquire before ordering.

02/12/2024

Fixings

- End caps closed using 2 × M6 stainless screws with CHC-type heads

Facilities available

- Through wiring: add the suffix **9101** to the product code – example: 74xxxxxx **9101**
- Quick connect: add the suffix **9102** to the product code – example: 74xxxxxx **9102**
- Quick connect + through wiring: add the suffix **9103** to the product code – example: 74xxxxxx **9103**
- Stainless vandal-resistant screws: add the suffix **9701** to the product code – example: 74xxxxxx **9701**
- In-line joiner: add the suffix **9801** to the product code – example: 74xxxxxx **9801**

Accessories (to be ordered separately)

Fila²100

Kit of 304L stainless fittings for wall mounting, standard screw fixing – code **98747001**

Kit of 304L stainless fittings for wall mounting, turnbuckle fixing – code **98747002**

Kit of 304L stainless fittings for suspended mounting, standard screw fixing – code **98747003**

Kit of 316L stainless fittings for wall mounting, standard screw fixing – code **98748001**

Kit of 316L stainless fittings for suspended mounting, standard screw fixing – code **98748003**

One kit contains two fittings.

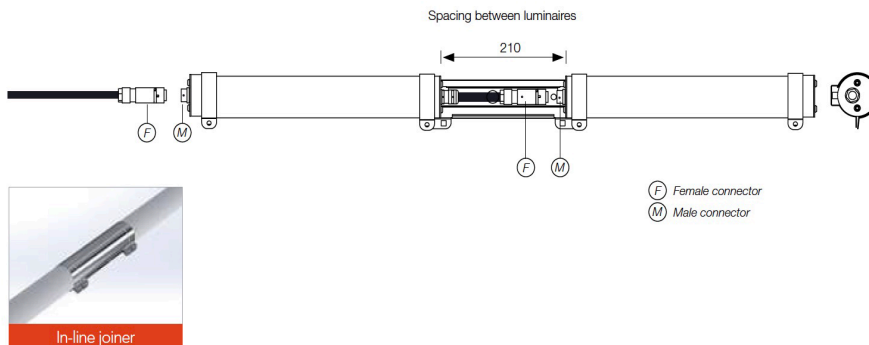
Optional stainless steel vandal-resistant screws: add suffix 9701 to the product code: e.g. **987470019701**

In-line joiner

304L stainless steel joiner for Fila²100 – code 98747004

316L stainless steel joiner Fila²100 – code 98748004

The stainless steel joiners must be ordered separately.



For use only in association with additional option code 9801 (in-line fitting): e.g. 742073009801

Optional stainless steel vandal-resistant screws: add suffix 9701 to the product code: e.g. 987470049701

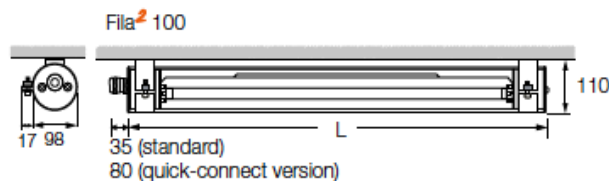
Approvals

Certificates available:

- CE certificate (as per EN60598-1 / 2-1)
- Incandescent Wire Test product)

certificate (depending on

Dimensions



Technical and dimensional data are given for information only and may be modified at any time without notice. Please enquire before ordering.

02/12/2024

FILA 2 100 LED + 40° optics									
Designation	CCT (K)	Power (W)	Power in standby (W)	Power factor	L (mm)	Luminaire output (lm)	Luminaire efficacy (lm/W)	304L stainless steel	316L stainless steel
2 modules LLC1300	3000	26	-	>0,9	690	3375	130	74207300	74208300
2 modules LLC1300	4000	26	-	>0,9	690	3518	135	74207400	74208400
3 modules LLC1300	3000	36	-	>0,9	970	4751	132	74217300	74218300
3 modules LLC1300	4000	36	-	>0,9	970	4952	138	74217400	74218400
4 modules LLC1300	3000	49	-	>0,9	1250	6285	128	74227300	74228300
4 modules LLC1300	4000	49	-	>0,9	1250	6551	134	74227400	74228400
5 modules LLC1300	3000	63	-	>0,9	1530	8130	129	74237300	74238300
5 modules LLC1300	4000	63	-	>0,9	1530	8473	134	74237400	74238400

Technical data and order codes

Operating instruction : www.securlite.com (NOT0565)

Technical and dimensional data are given for information only and may be modified at any time without notice. Please enquire before ordering.

02/12/2024